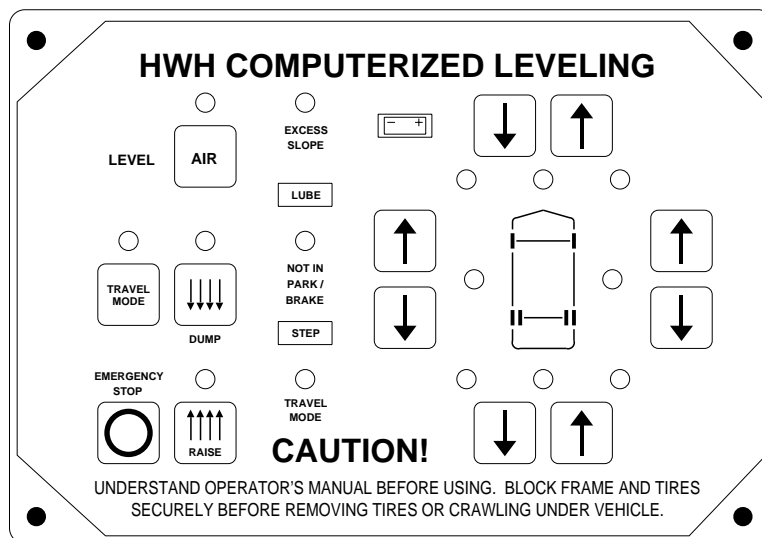




OPERATOR'S MANUAL

HWH COMPUTER-CONTROLLED 2000 SERIES LEVELING SYSTEM and SPACEMAKER® ROOM EXTENSION SYSTEMS

FEATURING:
Touch Panel Leveling Control
Air Leveling (With Tag Axle)
Two Room Extensions



HWH CORPORATION
(On I-80, Exit 267 South)
2096 Moscow Road | Moscow, Iowa 52760
Ph: 800/321-3494 (or) 563/724-3396 | Fax: 563/724-3408
www.hwh.com

OPERATOR'S MANUAL

CAUTION !

READ THE ENTIRE OPERATOR'S MANUAL BEFORE OPERATING.

BLOCK FRAME AND TIRES SECURELY BEFORE CRAWLING UNDER VEHICLE. DO NOT USE LEVELING JACKS OR AIR SUSPENSION TO SUPPORT VEHICLE WHILE UNDER VEHICLE OR CHANGING TIRES. VEHICLE MAY DROP AND/OR MOVE FORWARD OR BACKWARD WITHOUT WARNING CAUSING INJURY OR DEATH.

KEEP ALL PEOPLE CLEAR OF VEHICLE WHILE LEVELING SYSTEM AND ROOM EXTENSION ARE BEING OPERATED.

NEVER PLACE HANDS OR OTHER PARTS OF THE BODY NEAR HYDRAULIC LEAKS. OIL MAY PENETRATE SKIN CAUSING INJURY OR DEATH.

DO NOT OPERATE THE LEVELING SYSTEM OR USE THE DUMP OR RAISE BUTTONS IF THE VEHICLE IS MOVING IN EXCESS OF 5 MPH.

WEAR SAFETY GLASSES WHEN INSPECTING OR SERVICING THE SYSTEM TO PROTECT EYES FROM DIRT, METAL CHIPS, OIL LEAKS, ETC. FOLLOW ALL OTHER APPLICABLE SHOP SAFETY PRACTICES.

IMPORTANT: IF COACH IS EQUIPPED WITH A ROOM EXTENSION, READ ROOM EXTENSION SECTION BEFORE OPERATING LEVELING SYSTEM.

HOW TO OBTAIN WARRANTY SERVICE

THIS IS NOT TO BE INTERPRETED AS A STATEMENT OF WARRANTY

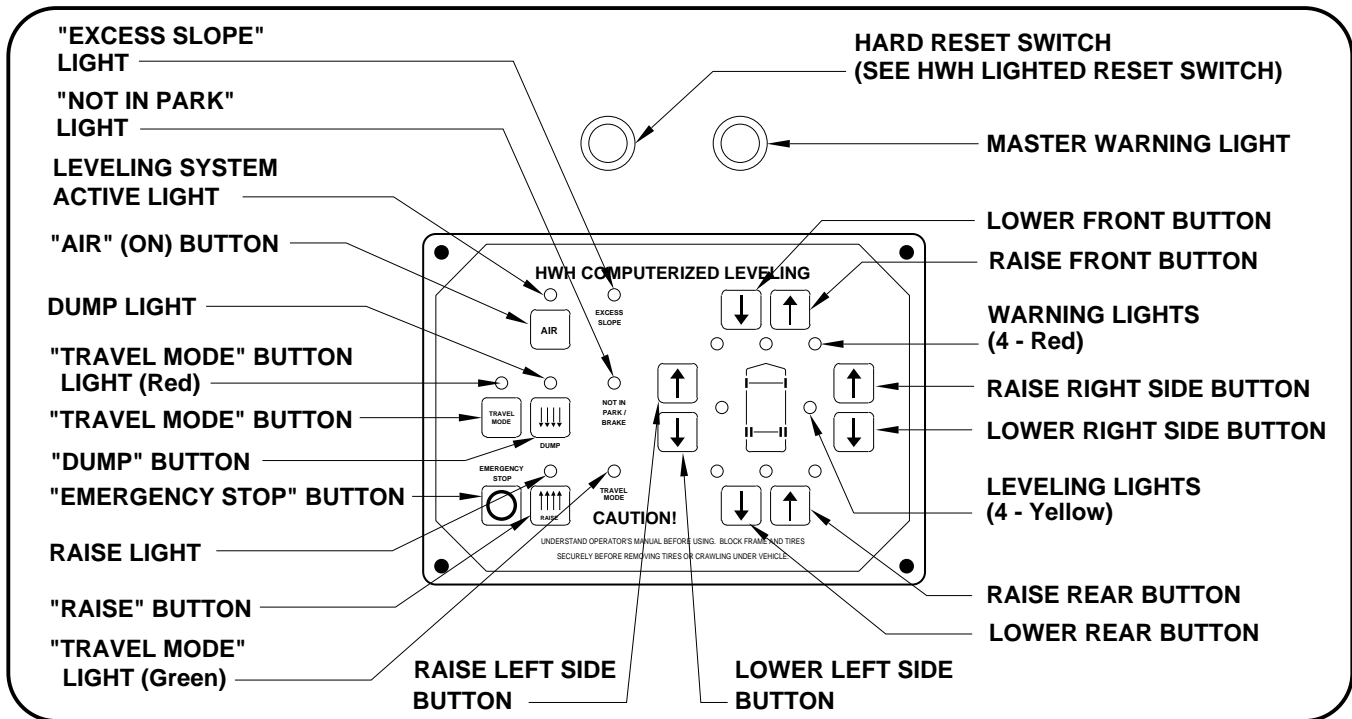
HWH CORPORATION strives to maintain the highest level of customer satisfaction. Therefore, if you discover a defect or problem, please do the following:

FIRST: Notify the dealership where you purchased the vehicle or had the leveling system installed. Dealership management people are in the best position to resolve the problem quickly. If the dealer has difficulty solving the problem, he should immediately contact the Customer Service Department, at HWH CORPORATION.

SECOND: If your dealer cannot or will not solve the problem, notify the Customer Service Department:
HWH CORPORATION 2096 Moscow Rd. Moscow IA. 52760
(563) 724-3396 OR (800) 321-3494. Give your name and address, coach manufacturer and model year, date the coach was purchased, or the date of system installation,

description of the problem, and where you can be reached during business hours (8:00 a.m. till 5:00 p.m. c.s.t.). HWH CORPORATION personnel will contact you to determine whether or not your claim is valid. If it is, HWH CORPORATION will authorize repair or replacement of the defective part, either by appointment at the factory or by the authorization of an independent service facility, to be determined by HWH CORPORATION. All warranty repairs must be performed by an independent service facility authorized by HWH CORPORATION, or at the HWH CORPORATION factory, unless prior written approval has been obtained from proper HWH CORPORATION personnel.

CONTROL IDENTIFICATION



CONTROL FUNCTIONS

CONTROL BUTTONS

"AIR" BUTTON: This is the system active and automatic operation button. It works if the ignition is in the "ON" position.

"EMERGENCY STOP" BUTTON: This button turns the system OFF but does NOT control power to the "DUMP" or "RAISE" buttons. Pushing this button will NOT put the system in the TRAVEL mode.

"TRAVEL MODE" BUTTON: This button will put the Leveling System in the TRAVEL mode. The ignition must be "ON" for the vehicle to return to proper ride height for traveling.

"DUMP" BUTTON: This button will lower the whole coach by dumping air from the suspension system.

"RAISE" BUTTON: This button will raise the whole coach by adding air to the suspension system.

IMPORTANT: Read "DUMP AND RAISE FUNCTIONS" before using the "DUMP" or "RAISE" buttons.

UP ARROWS (RAISE BUTTONS): These momentary buttons are used for manually operating the air leveling systems. Sides or ends of the vehicle will raise while these buttons are pushed.

DOWN ARROWS (LOWER BUTTONS): These momentary buttons are used for manually operating the air leveling systems. Sides or ends of the vehicle will lower while these buttons are pushed.

INDICATOR LIGHTS

LEVEL SYSTEM ACTIVE LIGHT: ON when the system is active, and flashes during automatic leveling.

DUMP LIGHT: Flashes when "DUMP" button is pushed.

RAISE LIGHT: Flashes when "RAISE" button is pushed.

"EXCESS SLOPE" LIGHT: ON if the leveling system can NOT level the coach.

"TRAVEL MODE" BUTTON LIGHT (RED): Light flashes for 3 seconds after the "TRAVEL MODE" button is pushed.

"TRAVEL MODE" LIGHT (GREEN): ON if the ignition is in the "ON" position, the system is not being used, and there is sufficient air pressure in the suspension. See PREPARATION FOR TRAVEL.

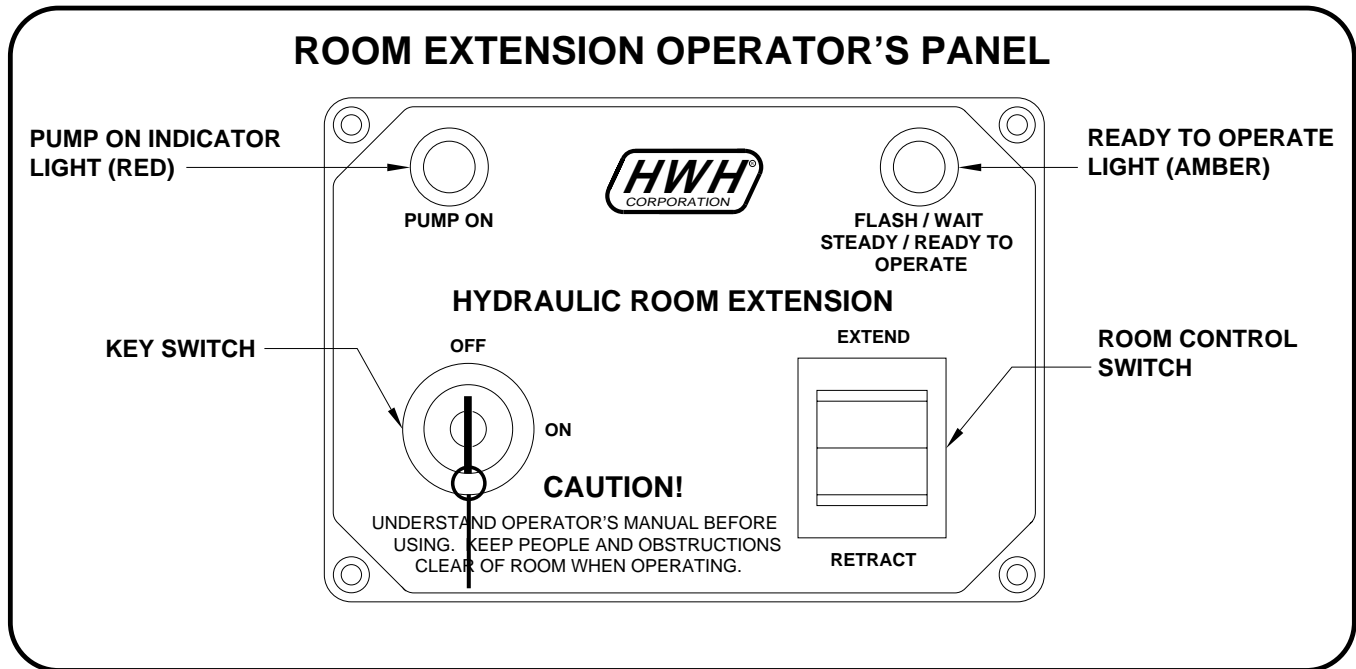
WARNING LIGHTS: Function with the ignition in the "ON" position. ON when the LEVELING SYSTEM ACTIVE LIGHT is ON. See PREPARATION FOR TRAVEL.

LEVELING LIGHTS: One or two yellow lights can be on indicating the side, end or corner of the coach is low.

"NOT IN PARK/BRAKE" LIGHT: ON while the "AIR" button is being pushed if the Park Brake is NOT set. The light will go out when the "AIR" button is released.

MASTER WARNING LIGHT: ON any time the "TRAVEL" light is not ON, if the ignition is in the "ON" position.

CONTROL IDENTIFICATION



CONTROL FUNCTIONS

KEY SWITCH: The KEY SWITCH controls power to the ROOM CONTROL SWITCH. When the KEY SWITCH is in the "ON" POSITION the room can be operated, and the key cannot be removed. When the KEY SWITCH is in the "OFF" position the room cannot be operated, and the key can be removed.

NOTE: Any time the KEY SWITCH is ON, the network will be active and will not power down.

ROOM CONTROL SWITCH: The ROOM CONTROL SWITCH is a two position momentary switch. Pressing the switch in the EXTEND POSITION will extend the room. Pressing the switch in the RETRACT POSITION will retract the room. Releasing the ROOM CONTROL SWITCH will halt the operation of the room.

PUMP ON INDICATOR LIGHT: This light will be on when the pump is running.

READY TO OPERATE LIGHT: After the KEY SWITCH is turned on the READY TO OPERATE LIGHT will glow steady. Except for EXCESS SLOPE situations, the room cannot be extended or retracted if this light is flashing.

If the "EXCESS SLOPE" light on the leveling system control panel is on, the READY TO OPERATE light will flash continuously after the key switch is turned ON. The room will not extend. The room will retract if the room control switch is pushed to "RETRACT".

If the PARK BRAKE is not set, the READY TO OPERATE light will not turn on and flash when the KEY SWITCH is turned "ON".

If a RAISE or LOWER function of the Leveling System is in use, MANUAL or AUTOMATIC operation, the READY TO OPERATE light will flash if the KEY SWITCH is in the "ON" position. The room will not operate.

MASTER WARNING LIGHT

This light is on the dash, separate from the control panels. It can be on only if the ignition key is in the "ON" position.

The light will be on if a HWH low air pressure switch is on, if the Leveling System is on, or if the Leveling System is not in the TRAVEL mode.

OPERATING PROCEDURES

NETWORK INFORMATION

The HWH 2000 series CAN system is a computerized modular network. It controls all functions of the leveling system and the room extensions. The network is active any time the ignition is in the "ON" or "ACC" position or when any room extension control panel key is "ON". Certain functions and indicator lights for the leveling system will work when the network is active. Certain functions and lights will work ONLY if the the ignition is in the "ON" or "ACC" position to start the function.

NOTE: The network will stay active for 10 minutes after the ignition key and all room extension control panel keys have been turned "OFF". If the leveling system was turned "ON", the network will stay active for 10 minutes after automatic leveling is complete or the system goes "EXCESS SLOPE". If manual leveling buttons were used, the network stays active for 10 minutes after the last manual button is released.

GENERAL INSTRUCTIONS

Maintain adequate clearance in all directions for vehicles, room extensions, doors, steps, etc.. Vehicle may move in any direction due to raising or lowering of vehicle during leveling, settling of vehicle, equipment malfunction, etc..

The MASTER WARNING LIGHT will be on if an air bag has low pressure, if the ignition is in the "ON" position.

CAUTION: DO NOT MOVE THE VEHICLE IF A ROOM IS EXTENDED. DO NOT MOVE THE VEHICLE AT SPEEDS IN EXCESS OF 5 MPH IF THE MASTER WARNING LIGHT IS ON.

The "DUMP" and "RAISE" buttons will function with the leveling system and park brake off, if the ignition is in the "ON" or "ACC" position or if the network is active. See AIR DUMP AND RAISE FUNCTIONS section of this manual.

If the Park Brake is not set, the Leveling System cannot be turned ON and the room extension will not operate.

If a ROOM CONTROL SWITCH is being pushed, no other room or the Leveling System can be operated. If any Leveling System raise or lower function is being operated, no room control switch will work.

HWH LIGHTED RESET SWITCH

The HWH lighted reset switch is located on the vehicle dash. If there is a failure at any time in the HWH CAN network, the network will shut down. The leveling system and all room extensions will not operate. If the ignition is off, no indicator lights will come on. If the ignition is in the "ON" or "ACC" position, the lighted reset switch and the MASTER WARNING Light will come on.

If the lighted reset switch is on, the switch must be pushed before any room or the leveling system can be operated.

A network problem with one room will not inhibit the use of the other rooms or leveling system after the reset switch is pushed.

A network problem with the leveling system will not inhibit the use of the room extensions after the reset switch is pushed.

If the lighted reset switch will not go out when pushed, there is a problem with the central control module of the network system. No rooms or the Leveling System will operate. The vehicle suspension will return to the travel mode if the ignition key is in the "ON" position.

CAUTION: IF THE IGNITION IS IN THE "ON" POSITION AND THE LIGHTED RESET SWITCH IS ON, THE VEHICLE CAN RETURN TO RIDE HEIGHT WITHOUT RELEASING THE PARK BRAKE.

OPERATING PROCEDURES

PREPARATION FOR TRAVEL

Check that all room extensions are fully retracted.
DO NOT move the vehicle unless the room extensions are retracted.

Visually check that the vehicle is at the proper ride height for traveling.

The ignition must be in the "ON" position for the vehicle suspension to be in the travel mode. Also the "TRAVEL MODE" button must be pushed or the park brake released for the suspension to be in the travel mode if the Leveling System was used.

A lit **"TRAVEL MODE" LIGHT** indicates that the HWH Leveling System is in the TRAVEL MODE. It does not indicate that the suspension is at ride height or that the coach is ready to travel.

CAUTION: IT IS THE OPERATOR'S RESPONSIBILITY TO CHECK THAT THE VEHICLE IS AT PROPER RIDE HEIGHT AND THE SLIDE-OUT IS FULLY RETRACTED BEFORE TRAVELING.

Before traveling, the MASTER WARNING light must be off and the "TRAVEL MODE" light must be ON.

NOTE: Low air pressure can turn the green "TRAVEL MODE" light off and turn the MASTER WARNING light on.

Refer to "DUMP" and "RAISE" FUNCTIONS operating procedures when moving the vehicle with the suspension NOT at the proper ride height.

AUTOMATIC AIR OPERATION

NOTE: The ignition must be in the "ON" or "ACC" position to use the "AIR" button. Once the operation is started, the ignition can be moved to the "OFF" position and the operation will continue. If a ROOM CONTROL switch is being pushed, the Leveling System can not be operated.

1. Place the transmission in the proper position for parking and set the park brake. The air leveling system can only be turned on if the ignition is in the "ON" or "ACC" position. Leaving the engine running during leveling is recommended. This will provide a better air supply for leveling.

NOTE: If the TAG DUMP SWITCH is in the DUMP position, it is recommended that it is returned to the TRAVEL position before starting the leveling procedure.

2. Press the "AIR" button once to enter the air mode. The LEVELING SYSTEM ACTIVE LIGHT will glow steady. The four red WARNING lights on the panel will come on. This indicates that the height control valves have been locked out. The vehicle should not be moved when these lights are on.

NOTE: If the park brake is not set, the "NOT IN PARK/BRAKE" light will be on while the "AIR" button is being pushed.

3. Press the "AIR" button a second time. The LEVELING SYSTEM ACTIVE LIGHT will start flashing and air leveling will begin. The system will attempt to level the vehicle by exhausting air from the air bags. If a level position is not achieved by lowering the vehicle, the low side and/or end of the vehicle will be raised by adding air to the air bags. When all four yellow LEVEL SENSING lights are out the leveling is complete.

NOTE: Only one or two yellow LEVEL SENSING lights may be ON at one time.

4. When all four yellow level lights are out, the LEVELING SYSTEM ACTIVE LIGHT will stop flashing and start pulsating dimly. The Leveling System is now in the SLEEP MODE. The vehicle's engine/ignition may now be turned OFF.

NOTE: After the ignition and all room extension KEY SWITCHES are turned OFF, the CAN Network stays active for 10 minutes before shutting down. Leveling System touch panel lights will stay ON during this time and go out when the CAN Network shuts down. If the Leveling System is in the SLEEP MODE when the Network shuts down, the computer will stay ON. The Leveling System touch panel lights will all be OFF, but the Leveling System will still be in the SLEEP MODE.

5. During the Sleep Mode, after 30 minutes the processor checks the Level Sensing Unit inputs. If no input for a yellow level light is seen, the processor remains dormant and will recheck the level unit inputs every 30 minutes. If the yellow light input stays on for one minute continuously, the processor will relevel the vehicle. If a yellow level light input is flickering, the processor will monitor the level sensing unit inputs continuously. If the yellow light input stays off for one minute, the processor reverts to checking the inputs every 30 minutes.

NOTE: No lights, including yellow level lights, on the Touch Panel will be ON unless the Network is actively trying to level the vehicle.

6. If the vehicle needs to be relevelled, the CAN Network will become active. The LEVELING SYSTEM ACTIVE LIGHT will flash. One or two yellow LEVELING LIGHTS will be ON. When the yellow LEVELING LIGHTS are all out, the LEVELING SYSTEM ACTIVE LIGHT will stop flashing and start pulsating dimly. The Leveling System will remain in the SLEEP MODE with the computer monitoring the LEVELING SENSING UNIT every 30 minutes, releveling the vehicle as needed.

OPERATING PROCEDURES

AUTOMATIC AIR OPERATION (Continued)

NOTE: The CAN Network will stay active for 10 minutes after releveling the vehicle and then shut down, turning the touch panel lights OFF. This happens every time the system relevels the vehicle.

7. The SLEEP MODE will continue until the "EMERGENCY STOP" button is pushed or the park brake is released, if the ignition is in the "ON" position.

EXCESS SLOPE: The system will attempt to level the vehicle for approximately 15 to 20 minutes. After the 15 to 20 minutes, if a LEVEL SENSING light is still on, the "EXCESS SLOPE" light will come on. The LEVEL LIGHT indicator light will go out. The "EXCESS SLOPE" light will be on whenever the network is active.

The "EXCESS SLOPE" light will be on whenever the network is active until the vehicle is leveled with all yellow LEVEL indicator lights off.

TAG AXLE DUMP

The tag axle dump switch is supplied by Country Coach.

IMPORTANT: Refer to Country Coach for proper use of the TAG DUMP feature.

The tag dump switch will work only with the ignition switch in the "ON" position and the Leveling System panel off. The transmission must be in the R, N or 1 position.

NOTE: If the TAG DUMP switch is in the DUMP position and the ignition key is turned ON (with the Leveling System panel OFF) the tag axle air bags will go into the dump mode.

The TAG DUMP switch, in either the DUMP or TRAVEL position, will not interfere with any air leveling operations.

OPERATING PROCEDURES

MANUAL AIR OPERATION

NOTE: The ignition must be in the "ON" or "ACC" position to use the "AIR" button. Once the operation is started, the ignition can be moved to the "OFF" position and the operation will continue.

1. Place the transmission in the proper position for parking and set the park brake. The air leveling system can only be turned on if the ignition is in the "ON" position. Running the vehicle engine during leveling is recommended. This will provide a better air supply for leveling. The vehicle will level with the engine shut off, however more time will be required for leveling.

NOTE: If the "NOT IN PARK/BRAKE" light is on, the leveling system cannot be turned on.

2. Press the "AIR" button once to enter the air mode. The LEVELING SYSTEM ACTIVE LIGHT indicator light will glow steady. When the ignition is in the "ON" position, the four red WARNING lights on the panel will come on. This indicates that the height control valves have been locked out. The vehicle should not be moved when these lights are on.

3. The vehicle can now be leveled using the RAISE (up arrow) and LOWER (down arrow) buttons on the right half of the

panel in conjunction with the yellow LEVEL indicator lights. **Any side to side leveling should be done, if needed, before leveling the vehicle front to rear.** The yellow LEVEL indicator light indicates that side or end is low. When all yellow lights are out the vehicle is level. Try leveling the vehicle by lowering the high side or end (opposite of the lit yellow level lights). If a level position is not achieved use the RAISE (up arrow) button to raise the low side or end.

NOTE: In either manual or automatic leveling when either front air manifold air bag pressure switch is on a front lower procedure is halted. When either rear air manifold air bag pressure switch is on, a rear lower procedure is halted. Air bag pressure switches will not interfere with either a right or left lower procedure.

4. Turn the ignition to the "OFF" position.

5. Turn the system off.

NOTE: If the "DUMP" or "RAISE" buttons are pushed while manually leveling the vehicle with air and the ignition is in the "ON" position, the system will latch into the dump or raise mode until the "EMERGENCY STOP" button is pushed or the ignition is turned off.

"DUMP" AND "RAISE" FUNCTIONS

The "DUMP" and "RAISE" functions are provided for operator convenience for purposes such as dumping the air suspension when parked.

Leave the engine running if the "RAISE" function is to be used. The park brake does not have to be set to use the "DUMP" or "RAISE" buttons.

IMPORTANT: If the ignition is ON and the park brake is OFF, the "DUMP" and "RAISE" features will latch in and remain on. If the vehicle exceeds 10 MPH, the "DUMP" or "RAISE" functions will automatically turn off and the system will return to the TRAVEL MODE. If the park brake is set, the "TRAVEL MODE" button must be pushed before the vehicle can return to ride height.

CAUTION: REREAD CAUTIONS ON THE FIRST PAGE OF THIS MANUAL. THE VEHICLE MAY DROP OR RAISE AND/OR MOVE FORWARD OR BACKWARD WITHOUT WARNING CAUSING INJURY OR DEATH.

DO NOT OPERATE THE VEHICLE UNLESS THE AIR SUSPENSION IS AT THE PROPER HEIGHT FOR TRAVEL.

The "RAISE" and "DUMP" buttons can be used at any time the network is active. The park brake does not have to be on.

If the ignition is in the "ON" position and the park brake is off, the "RAISE" or "DUMP" buttons will latch in. The vehicle will raise or lower completely and stay in that position.

The vehicle can not return to ride height until the "TRAVEL MODE" button or the "EMERGENCY STOP" button is pushed or the vehicle exceeds 10 M.P.H, putting the system in the TRAVEL MODE.

If the ignition is in the "OFF" position the "RAISE" and "DUMP" buttons will not latch in. The vehicle will remain in the position it was when the button was released. The vehicle can return to ride height when the ignition is turned to "ON" if the park brake is released or the "TRAVEL MODE" button is pushed.

DO NOT operate the vehicle for extended distances unless the air suspension is at the proper height for travel. The vehicle can not return to ride height until the "EMERGENCY STOP" button is pushed or the vehicle exceeds 10 MPH, putting the system in the TRAVEL MODE.

CAUTION: IT IS THE OPERATOR'S RESPONSIBILITY TO CHECK THAT THE VEHICLE IS AT PROPER RIDE HEIGHT BEFORE TRAVELING.

OPERATING PROCEDURES

ROOM EXTEND PROCEDURE

IMPORTANT: It is recommended to level and stabilize the vehicle before extending the room.

IMPORTANT: Extending or retracting any leveling jacks when the room is extended is not recommended.

1. The park brake must be set for the room to be operated.

IMPORTANT: If the "EXCESS SLOPE" light is ON, the vehicle should be re-leveled so all yellow LEVEL indicator lights on the touch panel are OFF. If any of the four yellow LEVEL indicator lights cannot be put out, the vehicle should be moved to a more level location before using the room extension.

CAUTION: KEEP PEOPLE AND OBSTRUCTIONS CLEAR OF ROOM WHEN OPERATING.

NOTE: Make sure there is adequate clearance to fully extend the room.

2. Insert the KEY into the KEY SWITCH on the room extension operator's panel and turn it to the "ON" position. The READY TO OPERATE light will come on steady.

NOTE: If the Leveling System is being operated, the room will not extend. If the room panel KEY SWITCH is on, the "READY TO OPERATE" light will flash while the Leveling System is being operated.

3. To extend the room, push and hold the ROOM CONTROL SWITCH in the "EXTEND" position. The red "PUMP ON" light will come on. Hold the ROOM CONTROL SWITCH to "EXTEND" until the room is fully extended. Releasing the switch will halt room operation and turn the "PUMP ON" light off.

NOTE: Hold the switch to "EXTEND" three or four seconds after the room is fully extended. This assures proper pressurization of the cylinders. **During normal operation of the room, do not reverse direction of the room until the room is fully extended. If necessary, the direction of the room may be reversed, but watch for binding of the room. If the direction of the room has been reversed, DO NOT re-extend the room until the room has been fully retracted.**

IMPORTANT: Do not hold the ROOM CONTROL SWITCH in the "EXTEND" position for more than ten seconds after the room is fully extended or stops moving. **If either side of the room stops moving, release the room control switch immediately. DO NOT force the room. DO NOT reverse direction of the room, contact HWH Customer Service for assistance 1-800-321-3494.**

4. Turn the KEY SWITCH to the "OFF" position and remove the key. The READY TO OPERATE light will go out.

NOTE: If the KEY SWITCH is left "ON" The Network will stay active and not power down.

ROOM RETRACT PROCEDURE

CAUTION: KEEP PEOPLE AND OBSTRUCTIONS CLEAR OF ROOM WHEN OPERATING.

1. The park brake must be set for the room to be operated.

IMPORTANT: It is recommended that the room is level before retracting the room.

2. Insert the KEY into the KEY SWITCH on the room extension operator's panel and turn it to the "ON" position. The READY TO OPERATE light will come on steady.

NOTE: If the Leveling System is being operated, the room will not retract. If the room panel KEY SWITCH is ON, the READY TO OPERATE light will flash while the Leveling System is being operated.

3. To retract the room, push and hold the ROOM CONTROL SWITCH in the "RETRACT" position. The red "PUMP ON" light will come on. Hold the ROOM CONTROL SWITCH to "RETRACT" until the room is fully retracted. Releasing the switch will halt room operation and turn the "PUMP ON" light off.

NOTE: Hold the switch to "RETRACT" three or four seconds after the room is fully retracted. This assures proper pressurization of the cylinders. **During normal operation of the room, do not reverse direction of the room until the room is fully retracted. If necessary, the direction of the room may be reversed, but watch for binding of the room. If the direction of the room has been reversed, DO NOT retract the room until the room has been fully extended.**

IMPORTANT: Do not hold the ROOM CONTROL SWITCH in the "RETRACT" position for more than ten seconds after the room is fully retracted or stops moving. **If either side of the room stops moving, release the room control switch immediately. DO NOT force the room. DO NOT reverse direction of the room, contact HWH Customer Service for assistance 1-800-321-3494.**

4. Turn the KEY SWITCH to the "OFF" position and remove the key. The READY TO OPERATE light will go out.

NOTE: If the KEY SWITCH is left "ON" The Network will stay active and not power down.

MANUAL ROOM AND GENERATOR SLIDE RETRACT PROCEDURE (WITH SOLENOID VALVES WITH VALVE RELEASE NUTS)

(USE ONLY WHEN THE ROOM WILL NOT RETRACT WITH THE ROOM CONTROL SWITCH)

OVERVIEW

The room can be retracted manually if a hydraulic or electric failure prevents the room from being retracted using the CONTROL SWITCH. For normal retract sequence see the ROOM SLIDE RETRACT PROCEDURES. Refer to the vehicle manufacturer for storage location of the winch and information for connecting the winch to the room.

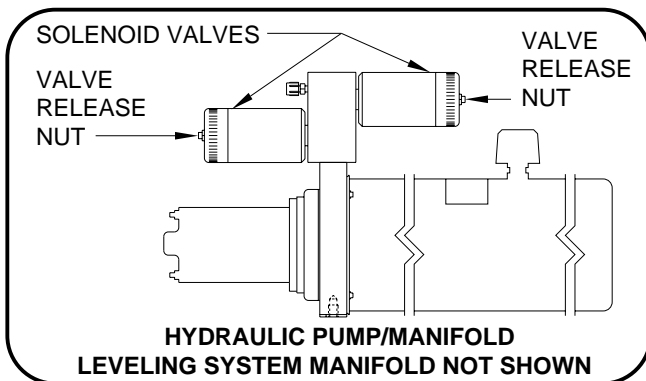
IMPORTANT: If the vehicle is not equipped with a winch, DO NOT use other pulling devices to retract the room. Follow steps 2 and 3 and try pushing the room in. Contact the vehicle manufacturer or HWH Customer Service at 1-800-321-3494 or 563-724-3396 for assistance.

CAUTION: THE MANUAL RETRACT WINCH IS EQUIPPED FOR MANUALLY RETRACTING THE ROOM ONLY. IT IS NOT TO BE USED FOR LIFTING OR ANY OTHER APPLICATION. HIGH FORCES ARE CREATED WHEN USING A WINCH, CREATING POTENTIAL SAFETY HAZARDS. FAILURE TO FOLLOW ALL CAUTIONS AND INSTRUCTIONS MAY CAUSE FAILURE OF THE MANUAL RETRACT WINCH OR CONNECTIONS RESULTING IN DAMAGE OR PERSONAL INJURY. MAINTAIN FIRM GRIP ON THE WINCH HANDLE AT ALL TIMES. NEVER RELEASE THE HANDLE WHEN RATCHET LEVER IS IN THE OFF POSITION AND THE WINCH IS LOADED. THE WINCH HANDLE COULD SPIN VIOLENTLY AND CAUSE PERSONAL INJURY. CHECK THE WINCH AND STRAPS FOR DAMAGE OR WEAR, AND CHECK FOR PROPER RATCHET OPERATION ON EACH USE OF THE WINCH. DO NOT USE IF DAMAGED OR WORN.

1. Retract jacks following the LEVELING SYSTEM RETRACT PROCEDURE.

NOTE : When manually retracting the room, make sure the jacks are retracted before retracting the room.

2. Locate the HYDRAULIC PUMP/MANIFOLD unit.



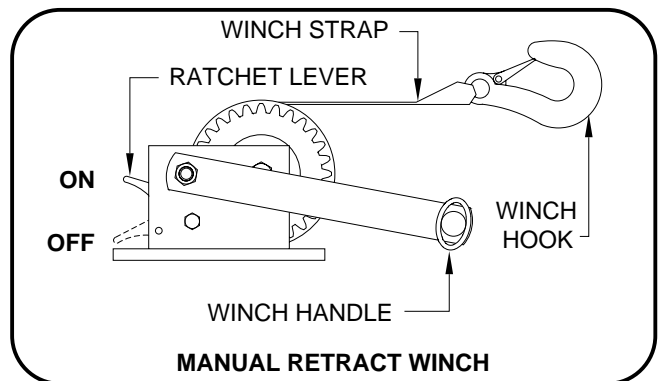
3. Open the Solenoid Valves by slowly turning the valve release nuts counter clockwise using the 1/4" nut driver supplied.

IMPORTANT: Only open the valves enough to retract the room. DO NOT turn the release nuts more than 4 and 1/2 turns. Turning the nuts more could damage the valves.

NOTE: Prior to APRIL 2002 a 1/4" Nut Driver was sent with the Operators Manual. As of APRIL 2002 the 1/4" Nut Driver has been incorporated into the Breather Cap. See the back page of this manual for further info.

NOTE: The room may move slightly as the SOLENOID VALVES are opened and internal pressure is released.

4. Locate the MANUAL RETRACT WINCH and connect it to the room according to the vehicle manufacturer's instructions. To extend the WINCH STRAP firmly grasp WINCH HANDLE, place RATCHET LEVER in its OFF position, and slowly rotate the WINCH HANDLE counter clockwise, keeping a firm grip on the handle. When enough WINCH STRAP is extended, place the RATCHET LEVER in its ON position and slowly rotate the WINCH HANDLE clockwise until the RATCHET LEVER locks.



5. Slowly winch the room in by turning the WINCH HANDLE clockwise. The RATCHET LEVER should produce a loud, sharp, clicking noise.

NOTE: Winching the room in quickly will raise pressure in the hydraulic fluid and make winching more difficult.

CAUTION: OPERATE THE MANUAL RETRACT WINCH BY HAND POWER ONLY. IF THE WINCH CANNOT BE CRANKED EASILY WITH ONE HAND IT IS PROBABLY OVERLOADED. IF WINCHING BECOMES TOO DIFFICULT STOP AND CHECK FOR OBSTRUCTIONS OR RESTRICTIONS ON THE ROOM AND ROOM EXTENSION MECHANISM.

6. When the room is fully retracted, engage the room locking devices. Leave the retract winch engaged and the solenoid valves open.

CAUTION: THE ROOM EXTENSION SOLENOID VALVE RELEASE NUTS MUST BE IN THE OPEN POSITION WHEN THE MANUAL RETRACT WINCH IS ENGAGED.

7. The system should be repaired before using again.

NOTE: After repairs are made, when closing the VALVE RELEASE NUTS, do not over tighten the nuts.

MP35.952D
01MAY02

MAINTENANCE/SERVICE

SENSING UNIT ADJUSTMENT

Level the vehicle by placing a bubble level in the center of the freezer floor or upon whichever surface within the vehicle that is to be level. Using the Leveling System and the bubble level, ignoring the yellow LEVEL lights on the Touch Panel, level the vehicle until the bubble is centered.

With the vehicle level according to the bubble level, if there are no yellow lights lit on the Touch Panel, the sensing unit is properly adjusted. If there are yellow LEVEL lights lit on the Touch Panel, manual adjustments to the Sensing Unit are needed. A 7/8", 3/4" or 5/16" socket w/driver or box end wrench and a philips screw driver will be needed.

The Sensing Unit is mounted inside the Control Box. The Control Box is mounted to the power unit/valve assembly.

There are four LED's on the Sensing Unit, A,B,C and D. Refer to the drawing below. The Sensing Unit is adjusted by turning the adjustment nut to turn out LED's B and D. The adjustment screw will turn out LED's A and C. If the adjustment nut has to be turned more than 1/2 flat or the adjustment screw has to be turned more than 3/4 turn to turn the LED out, there may be a problem with the Sensing Unit or the mounting of the Control Box. If two LED's are on, it is best to make the B-D adjustments first, then hold the adjustment nut from moving while making the A-C adjustment.

NOTE: If opposing LED's are lit, there is a problem with the Sensing Unit.

If LED (A) is lit: Turn the adjustment screw COUNTER CLOCKWISE until the LED is off.

If LED (C) is lit: Turn the adjustment screw CLOCKWISE until the LED is off.

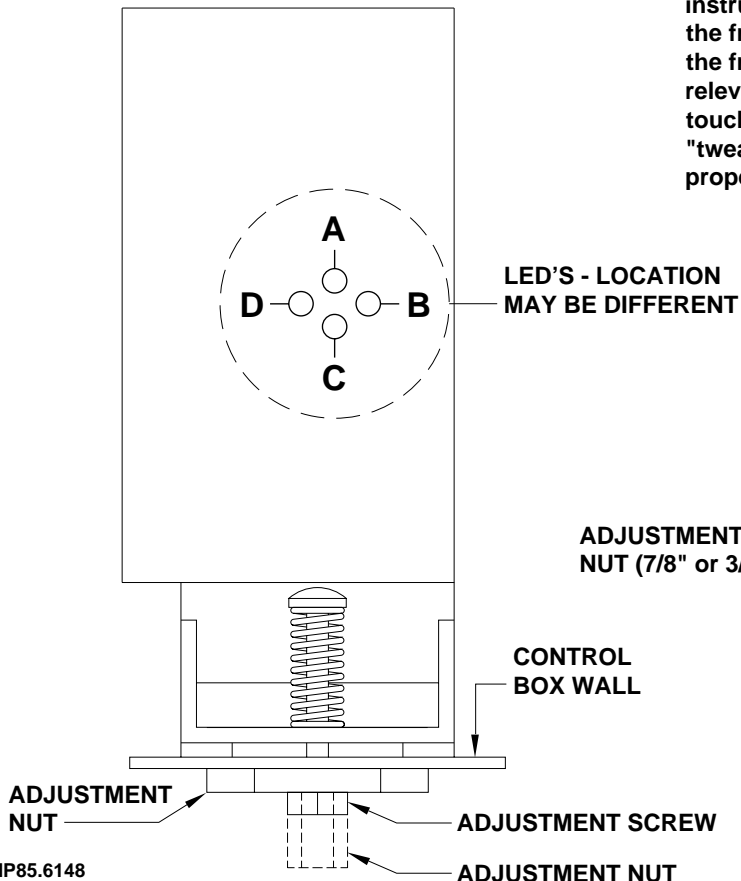
If LED (B) is lit: Turn the adjustment nut COUNTER CLOCKWISE until the LED is off.

If LED (D) is lit: Turn the adjustment nut CLOCKWISE until the LED is off.

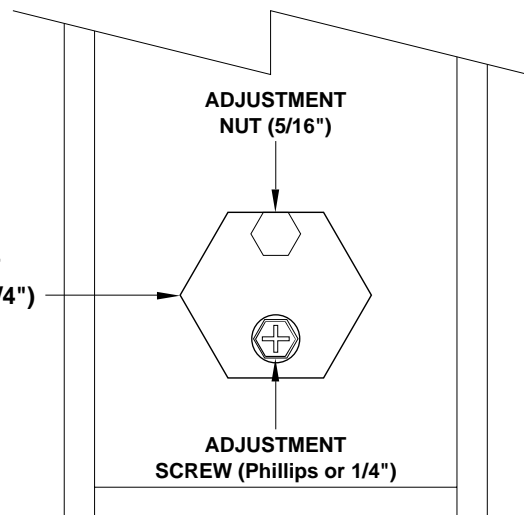
IMPORTANT: When all 4 LED's are off, move the vehicle to an unlevel position so one or two yellow lights are on. Level the vehicle according to the yellow LEVEL lights. Recheck the level. If more adjustment is needed, DO NOT try to adjust the sensing unit until the yellow level lights go out, instead just "tweak" the sensing unit, ignoring the LED's on the sensing unit.

Example: After the initial adjustment and releveling the vehicle, the front is still low. This means the front yellow level light is turning off too soon. Determine which sensing unit light is the front light, A-B-C or D. Move the adjustment for that light very, very, slightly in the OPPOSITE direction that is given in the above instructions for LED's A, B, C, and D. This will allow the front yellow light to stay on slightly longer to bring the front up more. Again, unlevel the vehicle then relevel the vehicle using the yellow level lights on the touch panel. Recheck with a level. Repeat the "tweaking" process until the system levels the vehicle properly.

TOP VIEW - SENSING UNIT

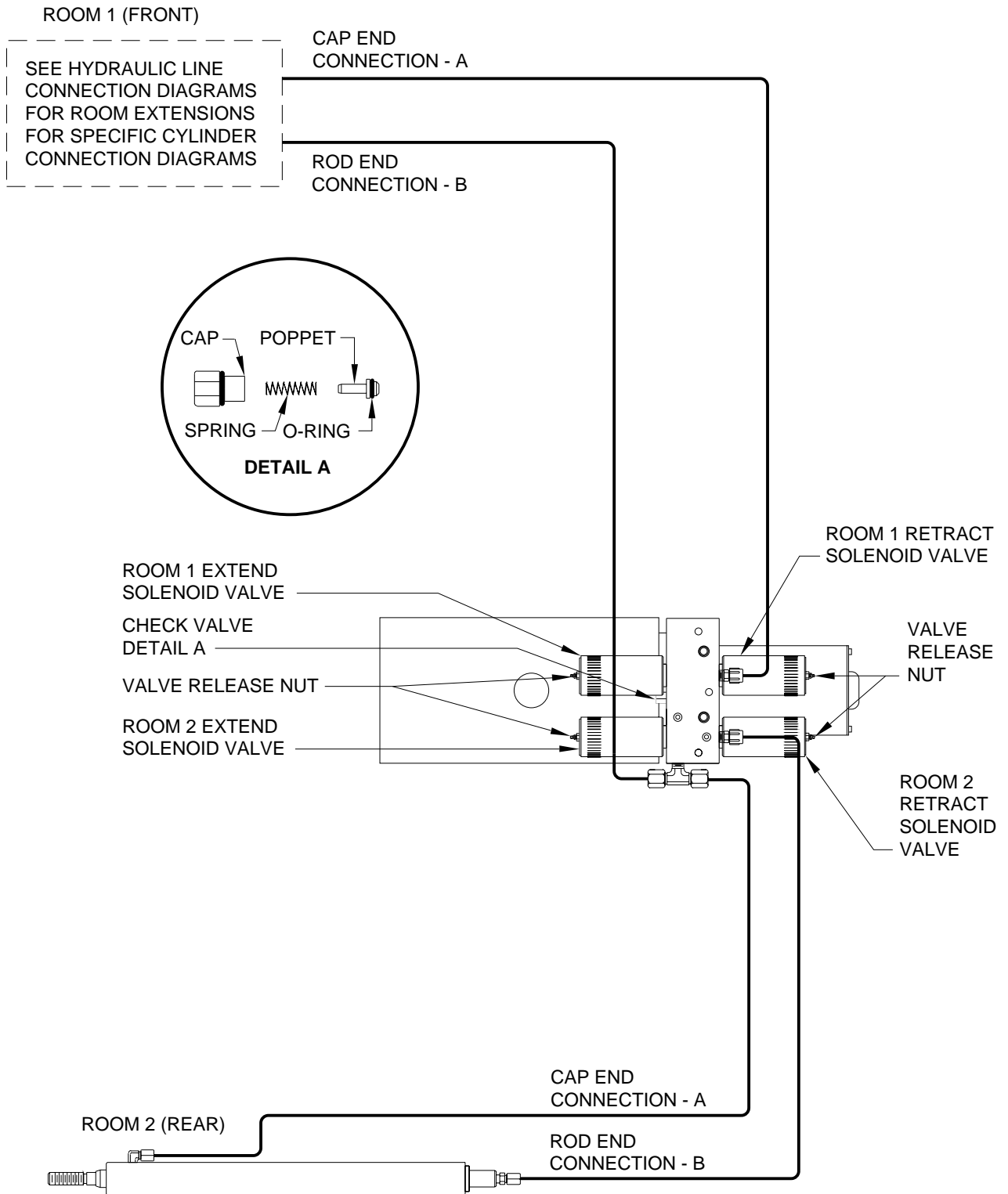


SIDE VIEW - CONTROL BOX



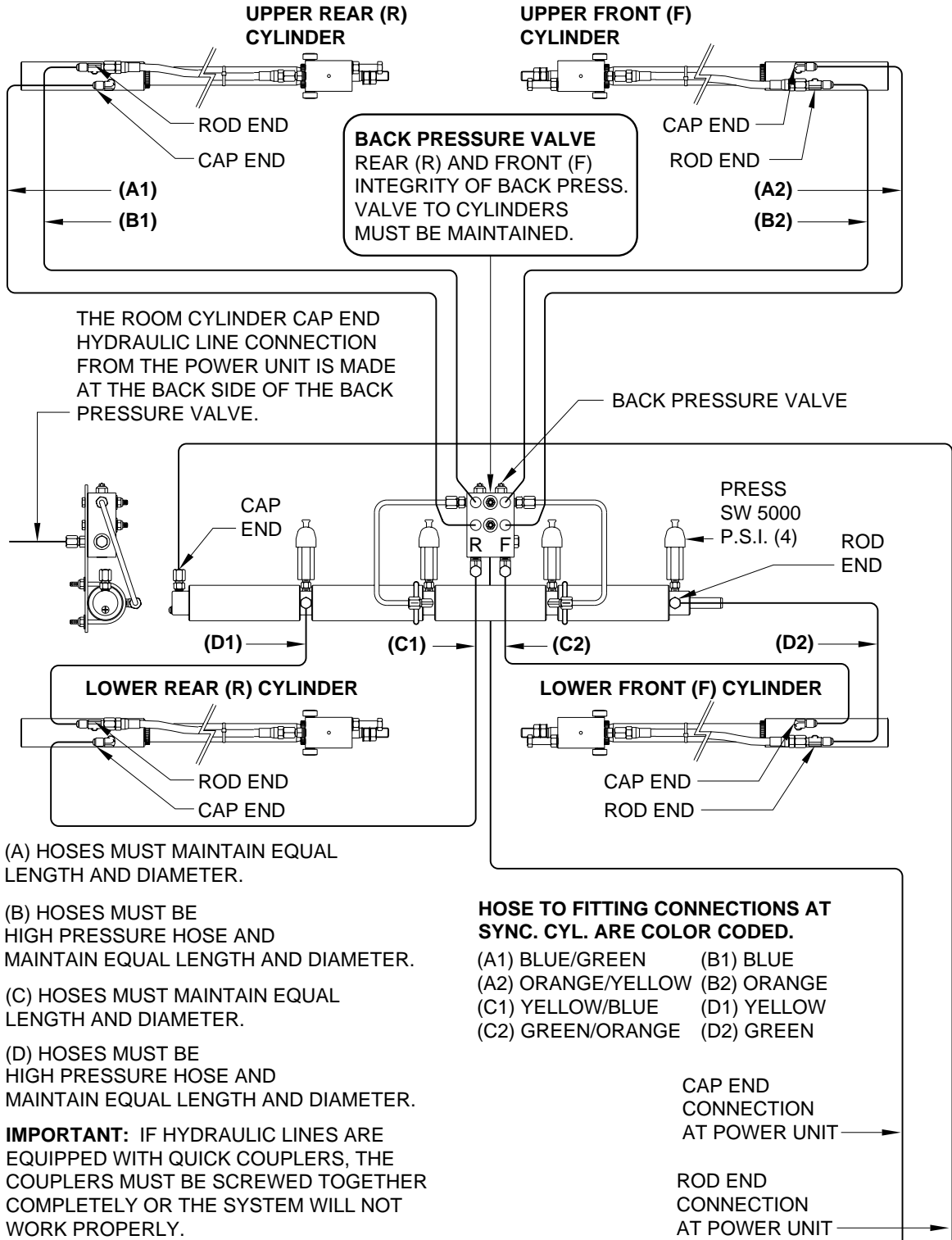
HYDRAULIC LINE CONNECTION DIAGRAM

SOLENOID VALVES WITH VALVE RELEASE NUTS



HYDRAULIC LINE CONNECTION DIAGRAM TRAIN DRIVE ROOM EXTENSION (WITH SYNCHRONIZING CYLINDER)

VIEW FROM INSIDE VEHICLE



(A) HOSES MUST MAINTAIN EQUAL LENGTH AND DIAMETER.

(B) HOSES MUST BE HIGH PRESSURE HOSE AND MAINTAIN EQUAL LENGTH AND DIAMETER.

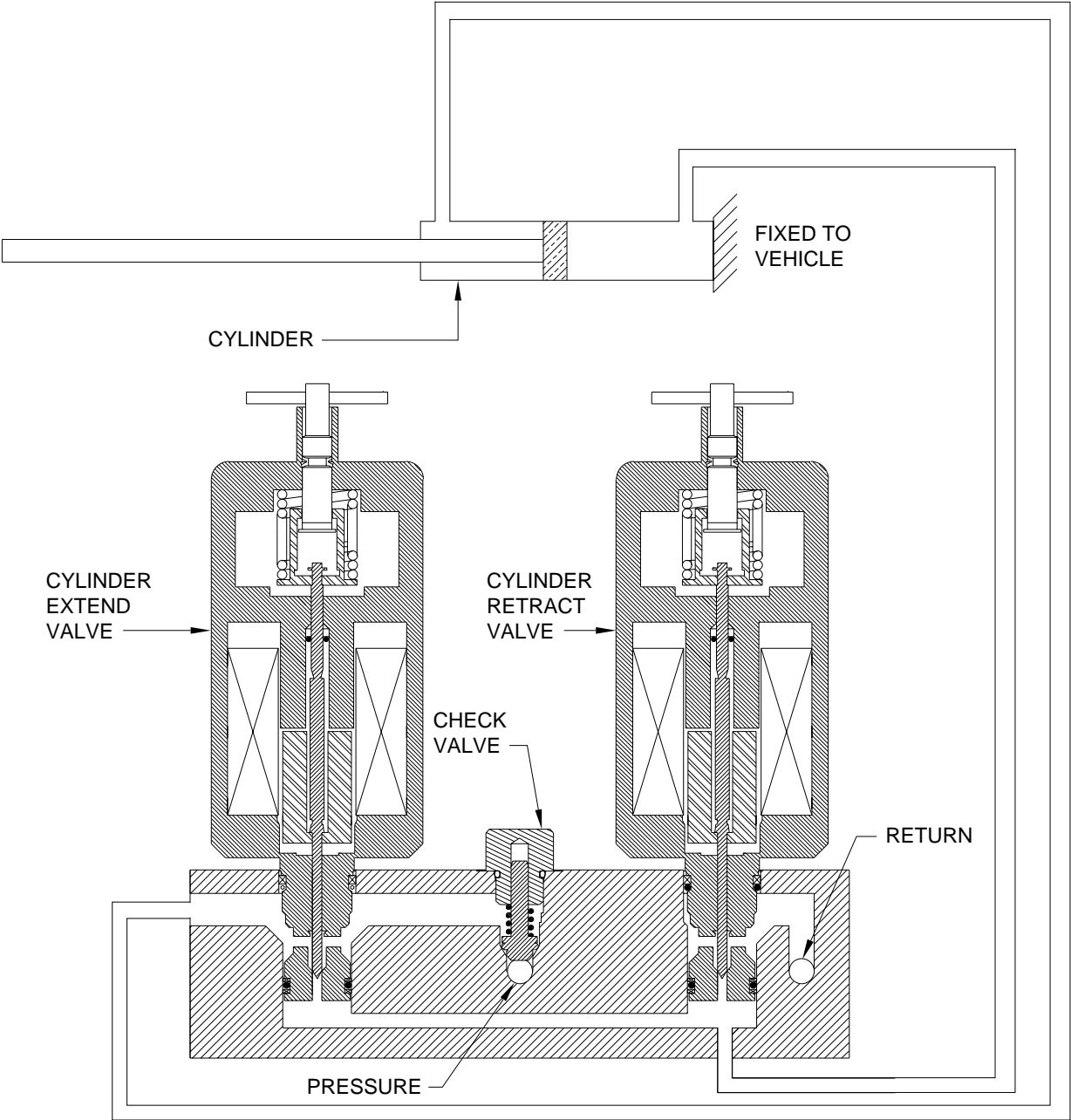
(C) HOSES MUST MAINTAIN EQUAL LENGTH AND DIAMETER.

(D) HOSES MUST BE HIGH PRESSURE HOSE AND MAINTAIN EQUAL LENGTH AND DIAMETER.

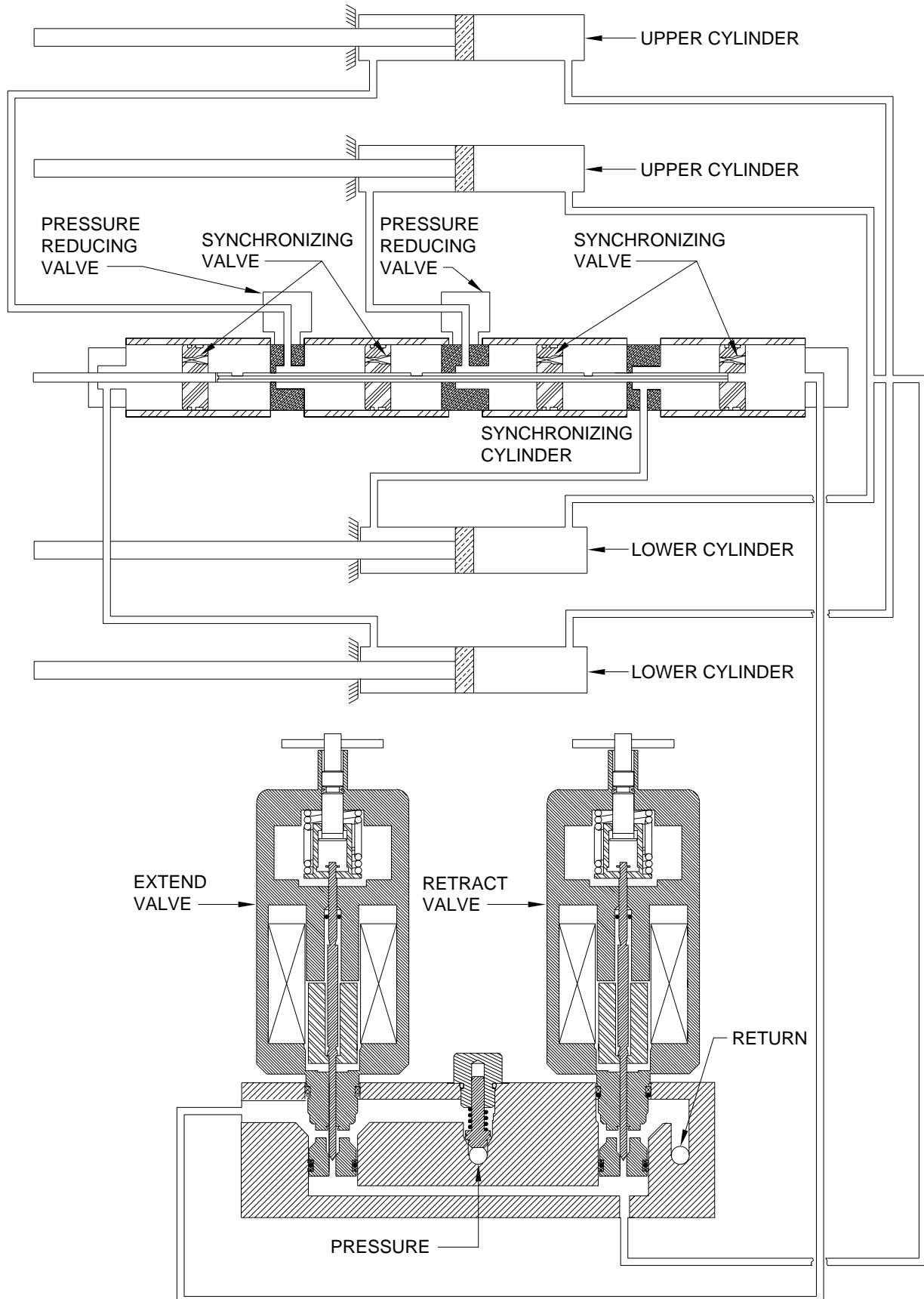
IMPORTANT: IF HYDRAULIC LINES ARE EQUIPPED WITH QUICK COUPLERS, THE COUPLERS MUST BE SCREWED TOGETHER COMPLETELY OR THE SYSTEM WILL NOT WORK PROPERLY.

NOTE: THE ROOM CYLINDERS ARE EXTENDED TO RETRACT THE ROOM AND RETRACTED TO EXTEND THE ROOM.

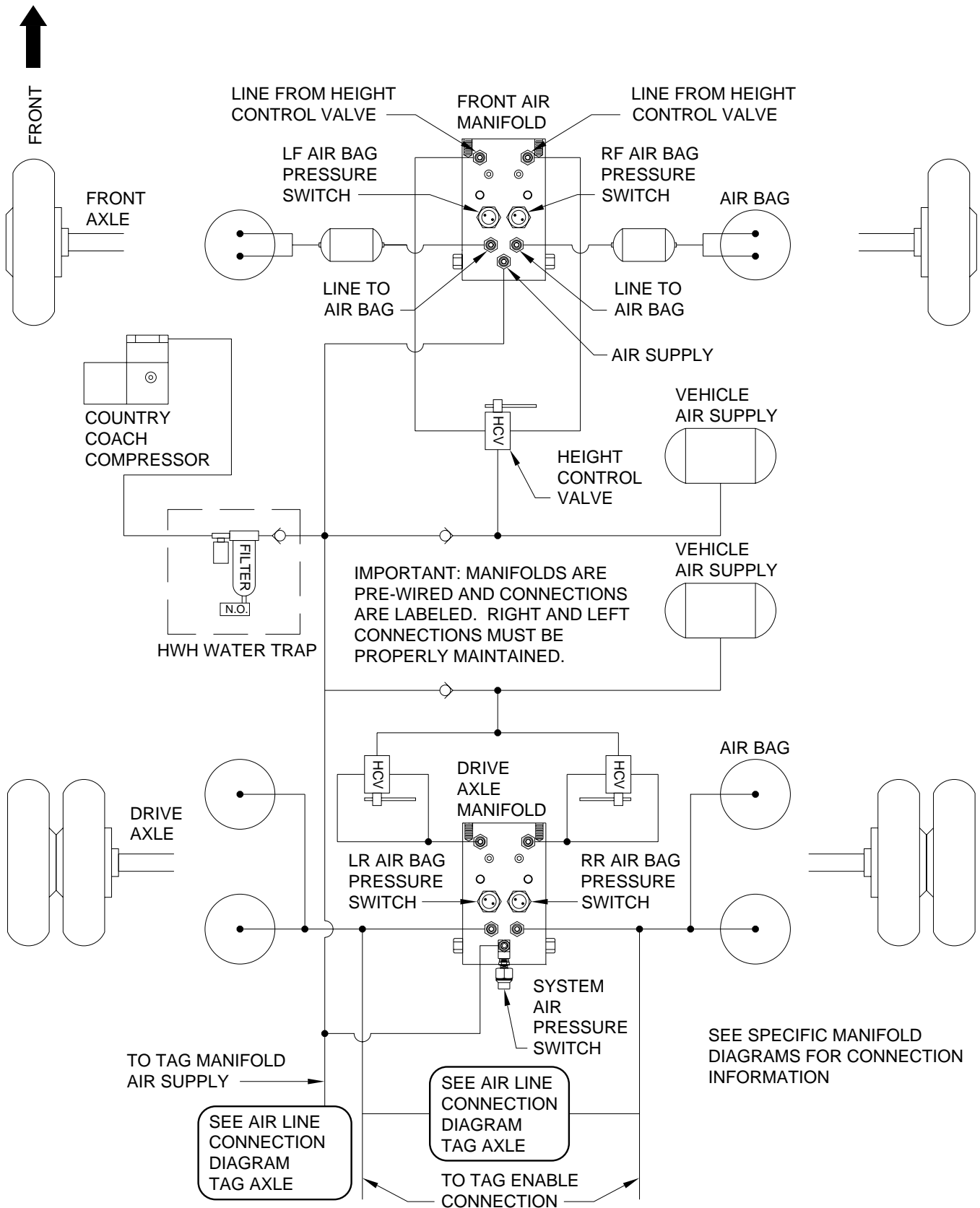
**HYDRAULIC FLOW DIAGRAM
SINGLE CYLINDER ROOM EXTENSION
STATIONARY POSITION**



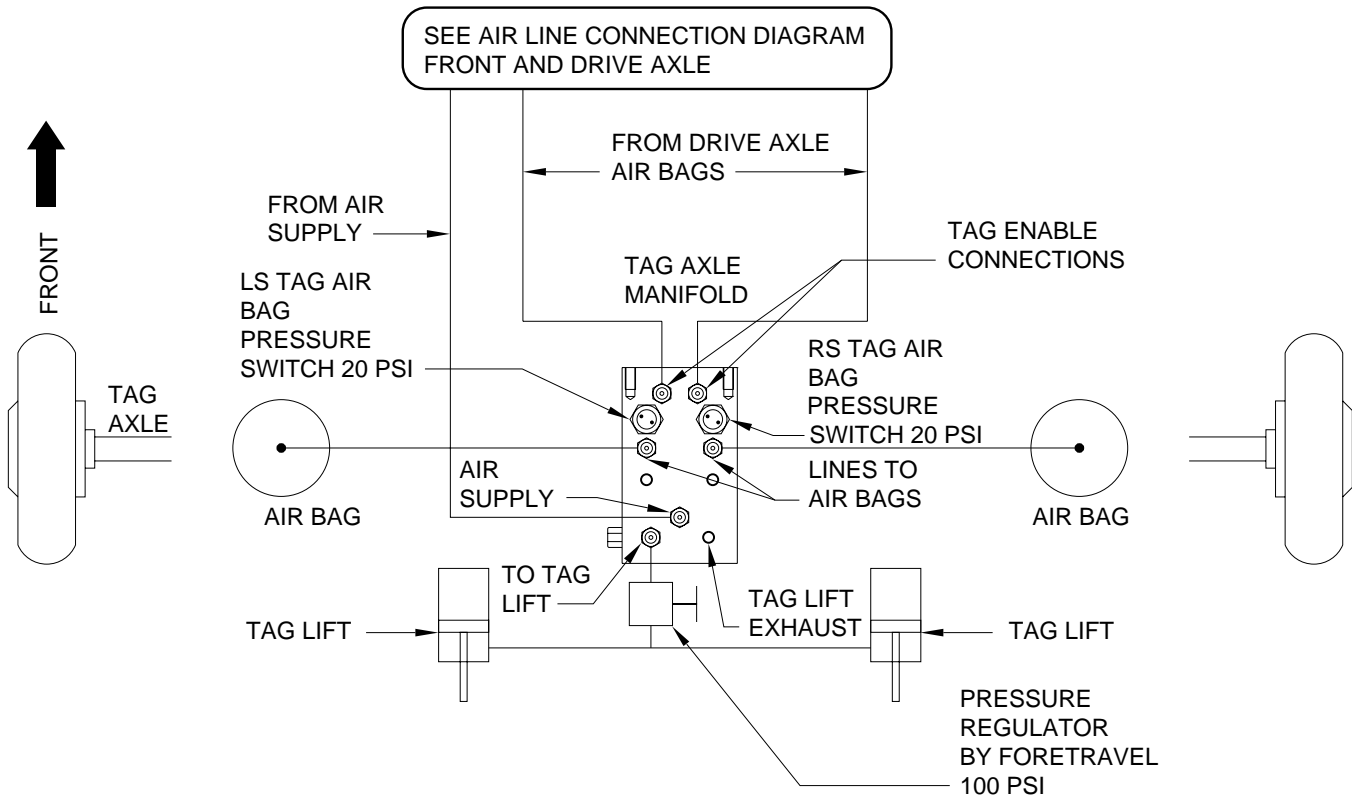
HYDRAULIC FLOW DIAGRAM FOUR CYLINDER ROOM EXTENSION WITH SYNCHRONIZING CYLINDER



AIR LINE CONNECTION DIAGRAM FRONT AND DRIVE AXLE



AIR LINE CONNECTION DIAGRAM TAG AXLE



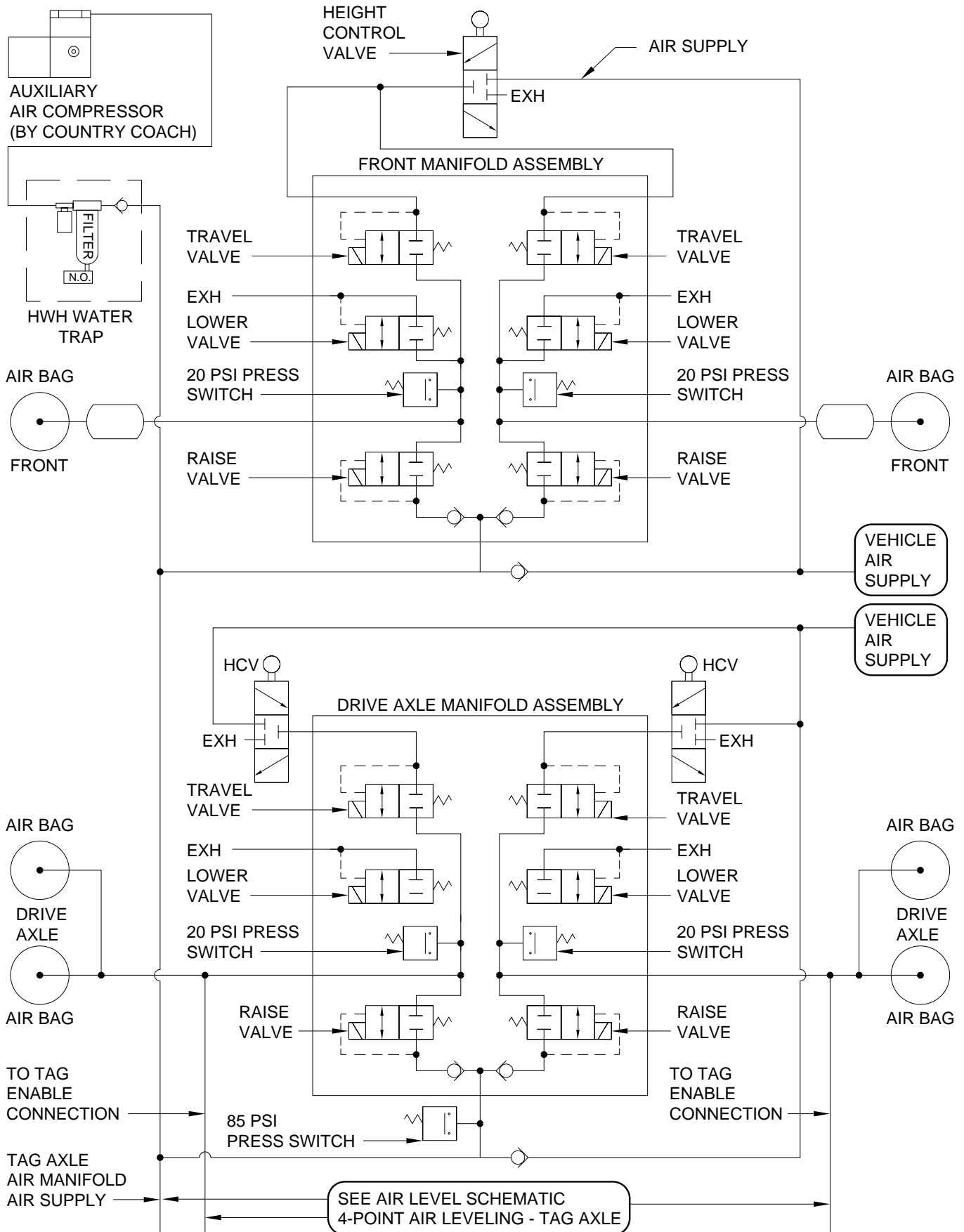
IMPORTANT: MANIFOLDS ARE PRE WIRED AND CONNECTIONS ARE LABELED. RIGHT AND LEFT CONNECTIONS MUST BE PROPERLY MAINTAINED

SEE SPECIFIC MANIFOLD DIAGRAMS FOR CONNECTION INFORMATION

VALVE REPLACEMENT NOTE: THE TAG DUMP/LOWER AIR SOLENOID VALVES ARE A DIFFERENT VALVE THAN THE OTHER VALVES ON THE MANIFOLD. ALL OTHER AIR SOLENOID VALVES ON THE FRONT, DRIVE AND TAG MANIFOLD ASSEMBLIES ARE THE SAME.

AIR LEVEL SCHEMATIC

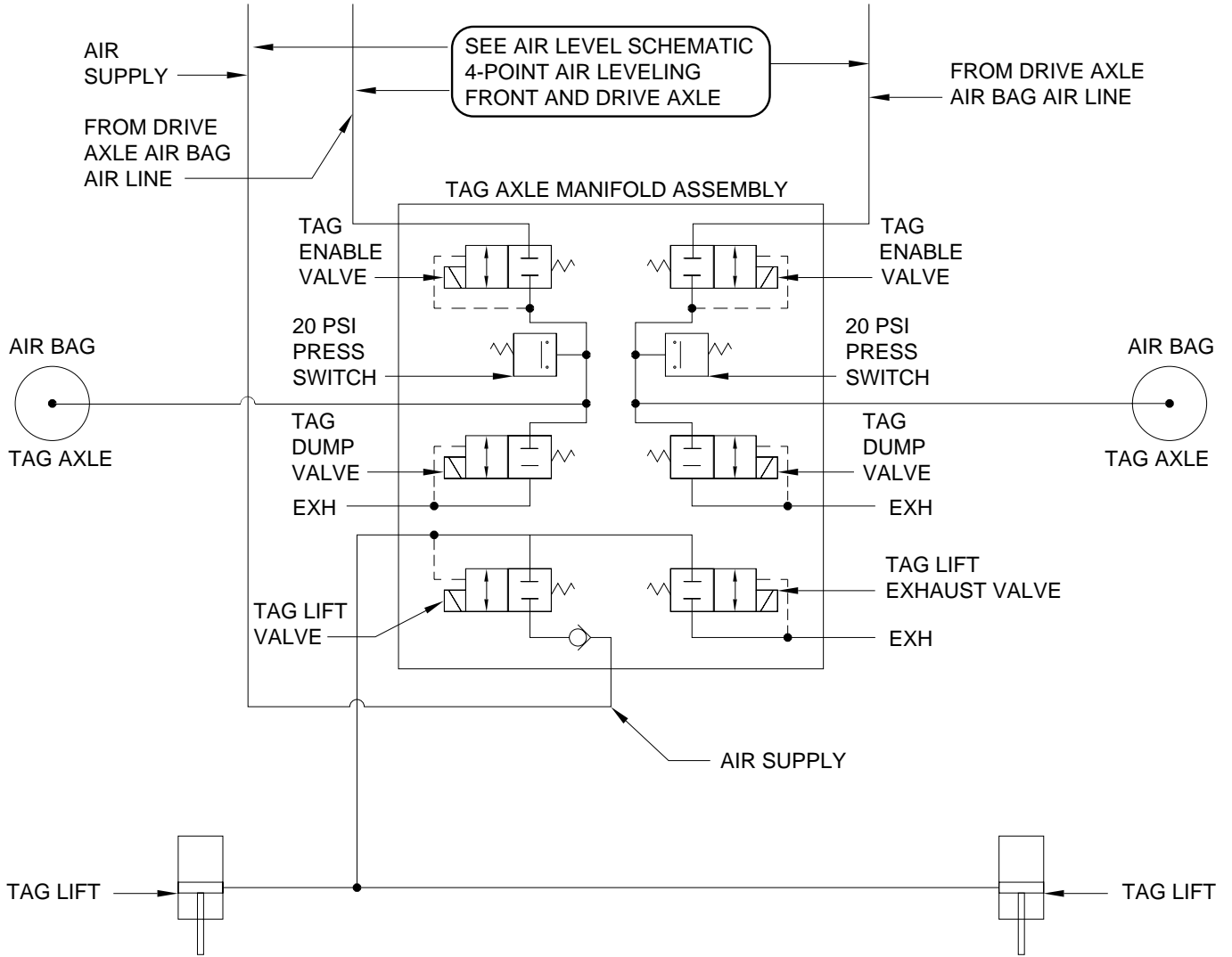
4-POINT AIR LEVELING - FRONT AND DRIVE AXLE PRESSURE SWITCHES FRONT, REAR AND TAG



AIR LEVEL SCHEMATIC

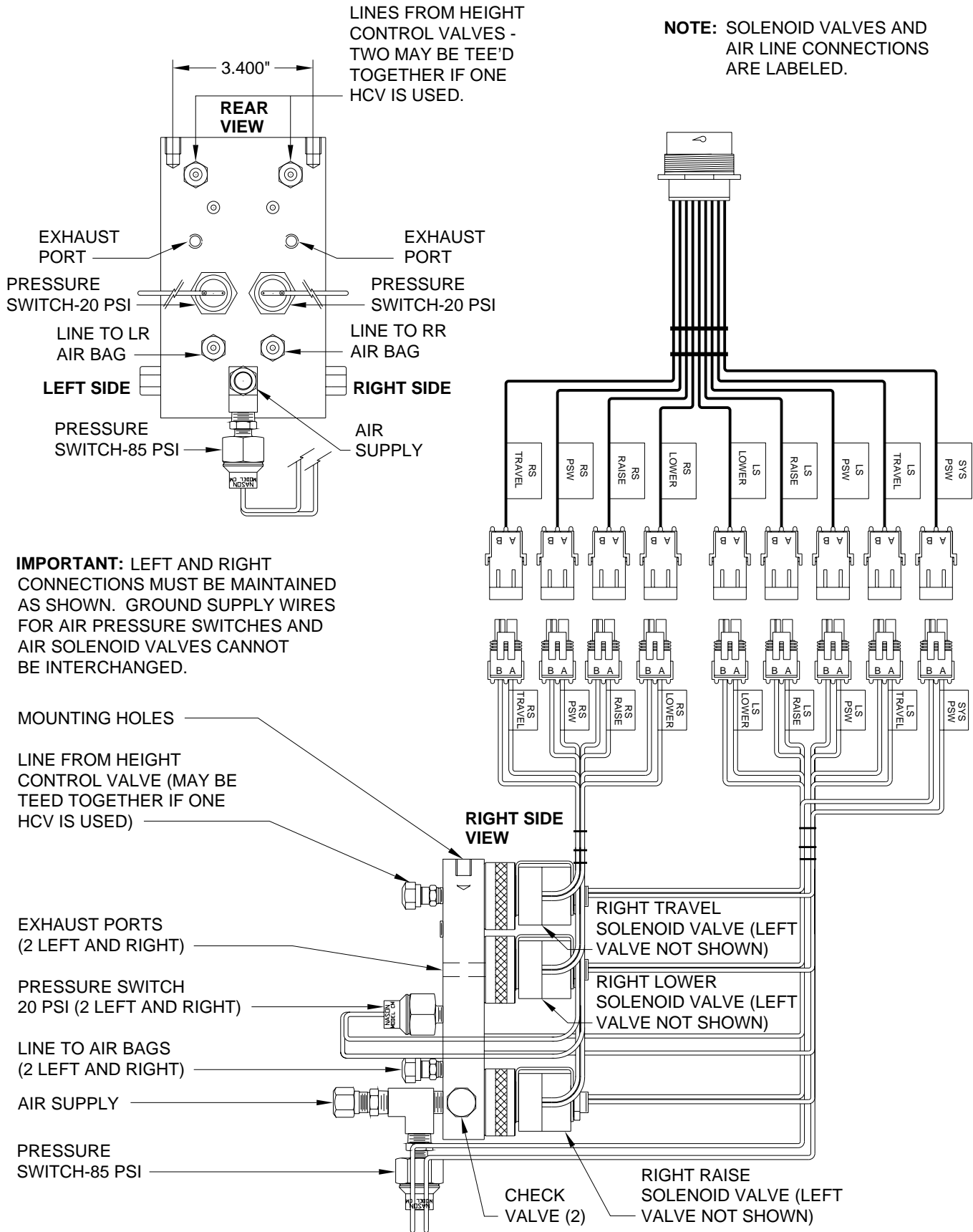
4-POINT AIR LEVELING - TAG AXLE

PRESSURE SWITCHES FRONT, REAR AND TAG



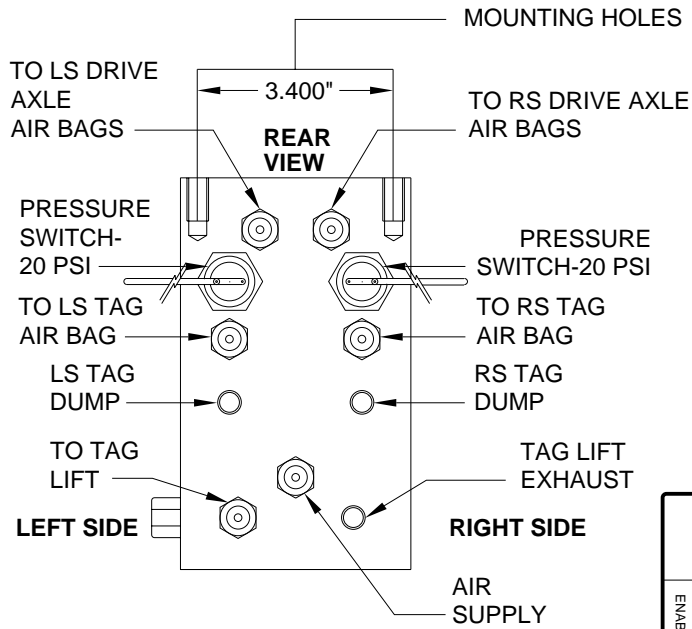
REAR AIR SOLENOID MANIFOLD CONNECTIONS

6 VALVE WITH THREE PRESSURE SWITCHES



TAG AIR SOLENOID MANIFOLD CONNECTIONS

6 VALVE WITH TWO PRESSURE SWITCHES

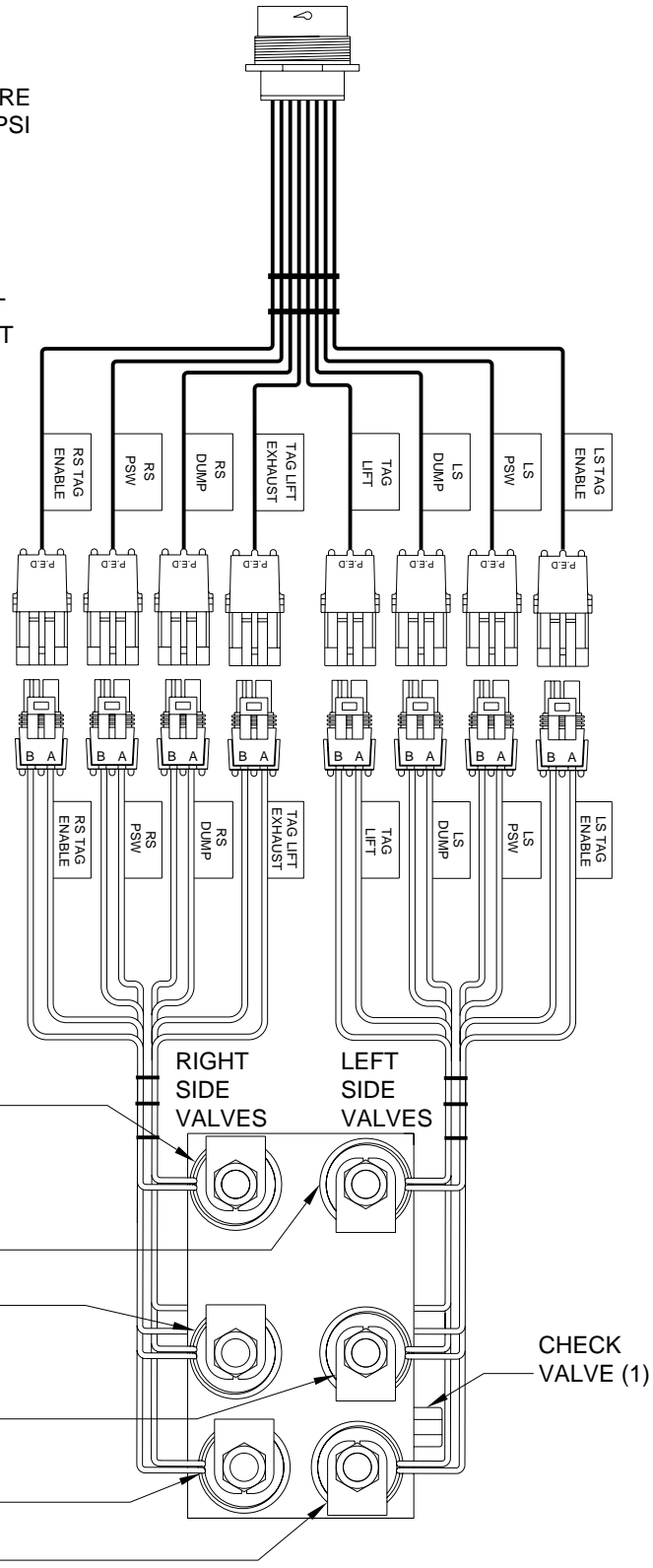


NOTE: SOLENOID VALVES AND AIR LINE CONNECTIONS ARE LABELED.

NOTE: PRESSURE SWITCHES ON TAG AXLE MANIFOLD ARE NOT USED ON ALL SYSTEMS.

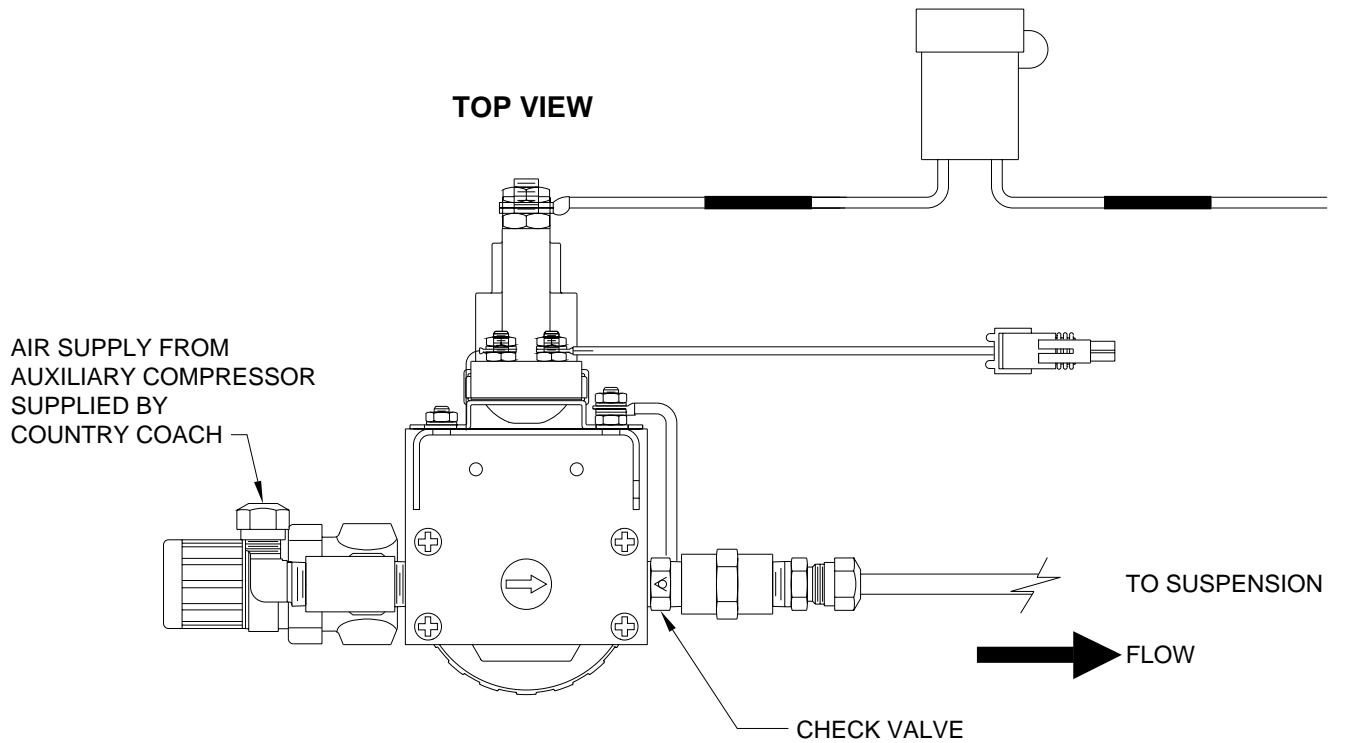
IMPORTANT: LEFT AND RIGHT CONNECTIONS MUST BE MAINTAINED AS SHOWN. GROUND SUPPLY WIRES FOR AIR PRESSURE SWITCHES AND AIR SOLENOID VALVES CANNOT BE INTERCHANGED.

NOTE: THE TWO TAG DUMP SOLENOID VALVES ARE A DIFFERENT VALVE THEN THE OTHER FOUR VALVES ON THE MANIFOLD. MAKE SURE THE CORRECT VALVE IS OBTAINED FOR REPLACEMENT.

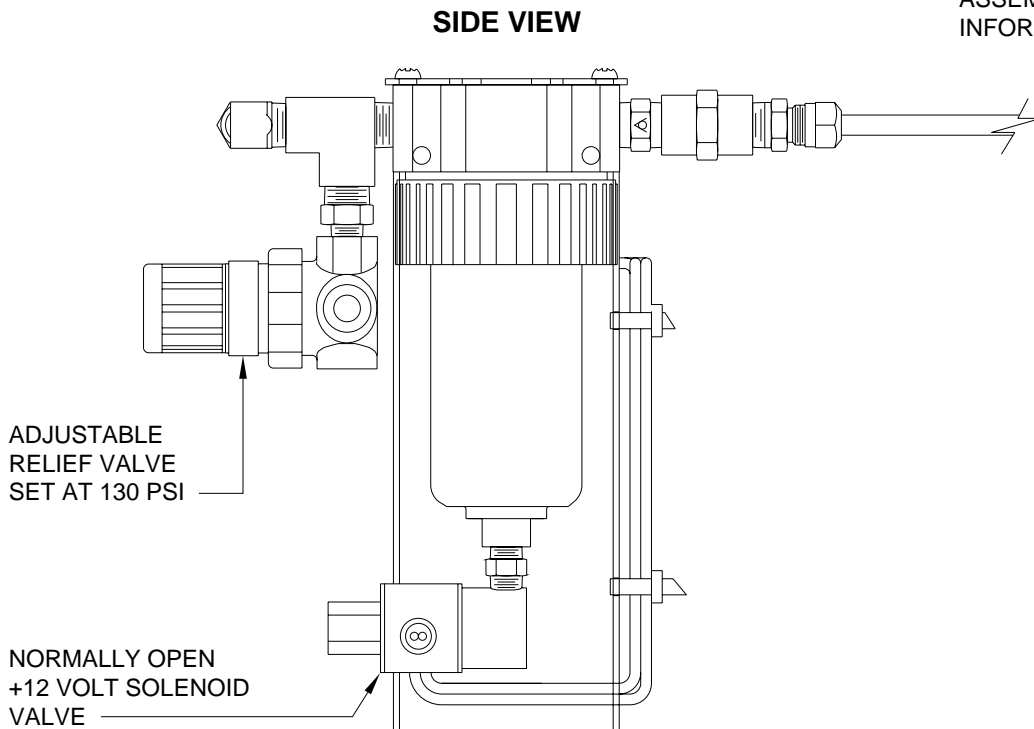


AIR LINE CONNECTION DIAGRAM

WATER TRAP ASSEMBLY

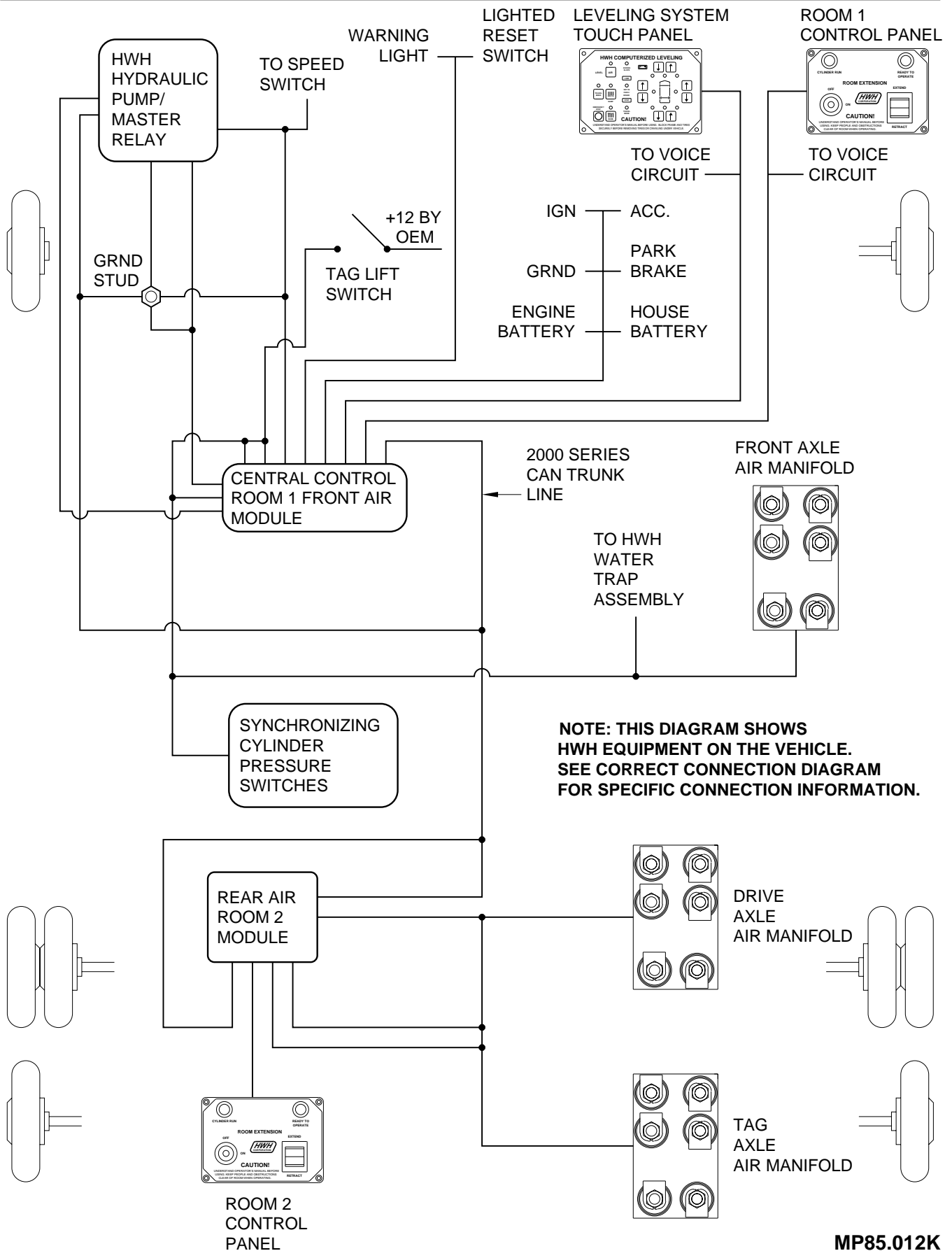


SEE ELECTRICAL CONNECTION
DIAGRAM - WATER TRAP
ASSEMBLY FOR CONNECTION
INFORMATION



ELECTRICAL CONNECTION DIAGRAM

2000 SERIES CAN SYSTEM

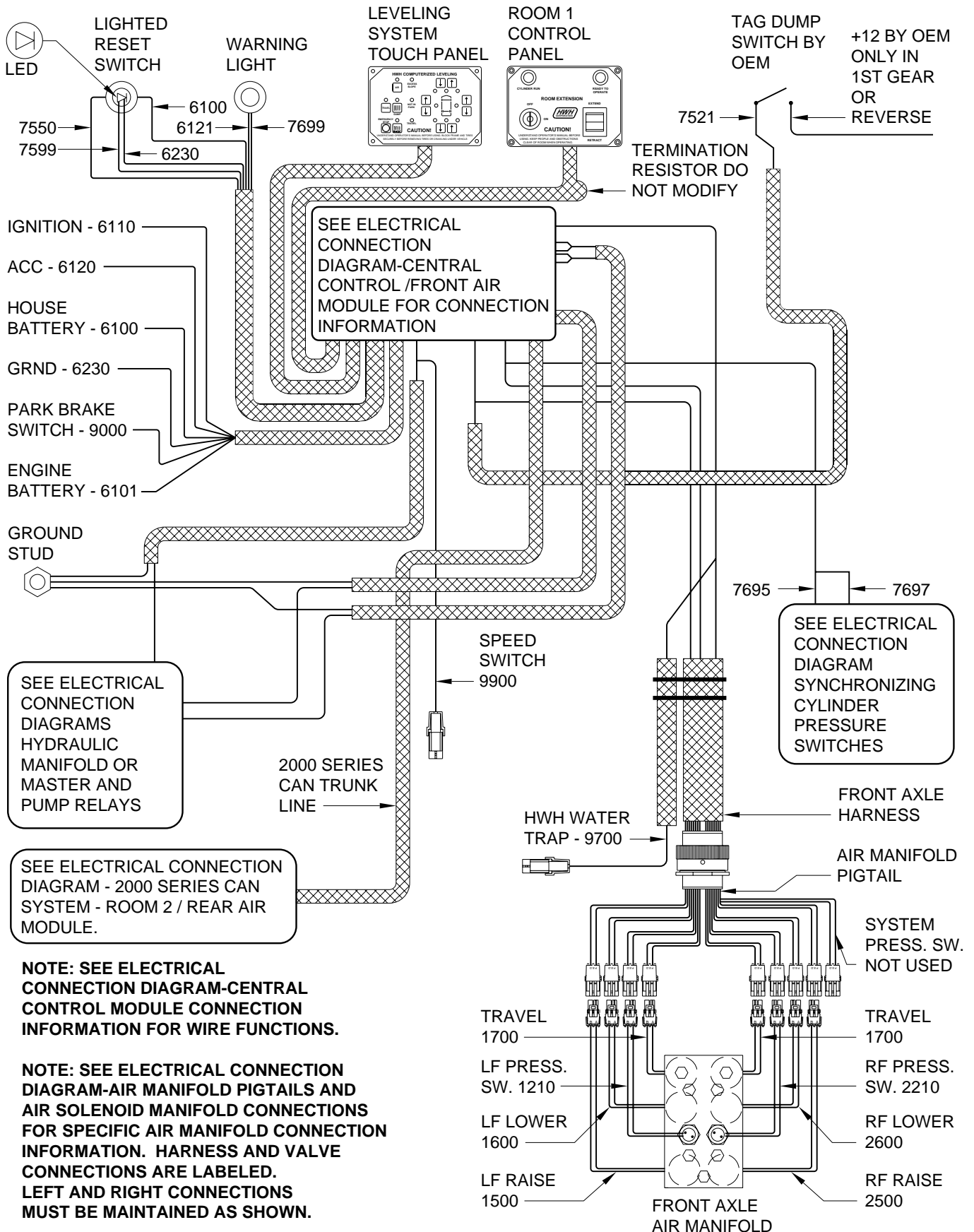


ELECTRICAL CONNECTION DIAGRAM

2000 SERIES CAN SYSTEM

AIR LEVELING - WITH TAG AXLE - 2 ROOM EXTENSIONS

CENTRAL CONTROL / FRONT AIR / ROOM 1 MODULE



NOTE: SEE ELECTRICAL CONNECTION DIAGRAM-CENTRAL CONTROL MODULE CONNECTION INFORMATION FOR WIRE FUNCTIONS.

NOTE: SEE ELECTRICAL CONNECTION DIAGRAM-AIR MANIFOLD PIGTAILS AND AIR SOLENOID MANIFOLD CONNECTIONS FOR SPECIFIC AIR MANIFOLD CONNECTION INFORMATION. HARNESS AND VALVE CONNECTIONS ARE LABELED. LEFT AND RIGHT CONNECTIONS MUST BE MAINTAINED AS SHOWN.

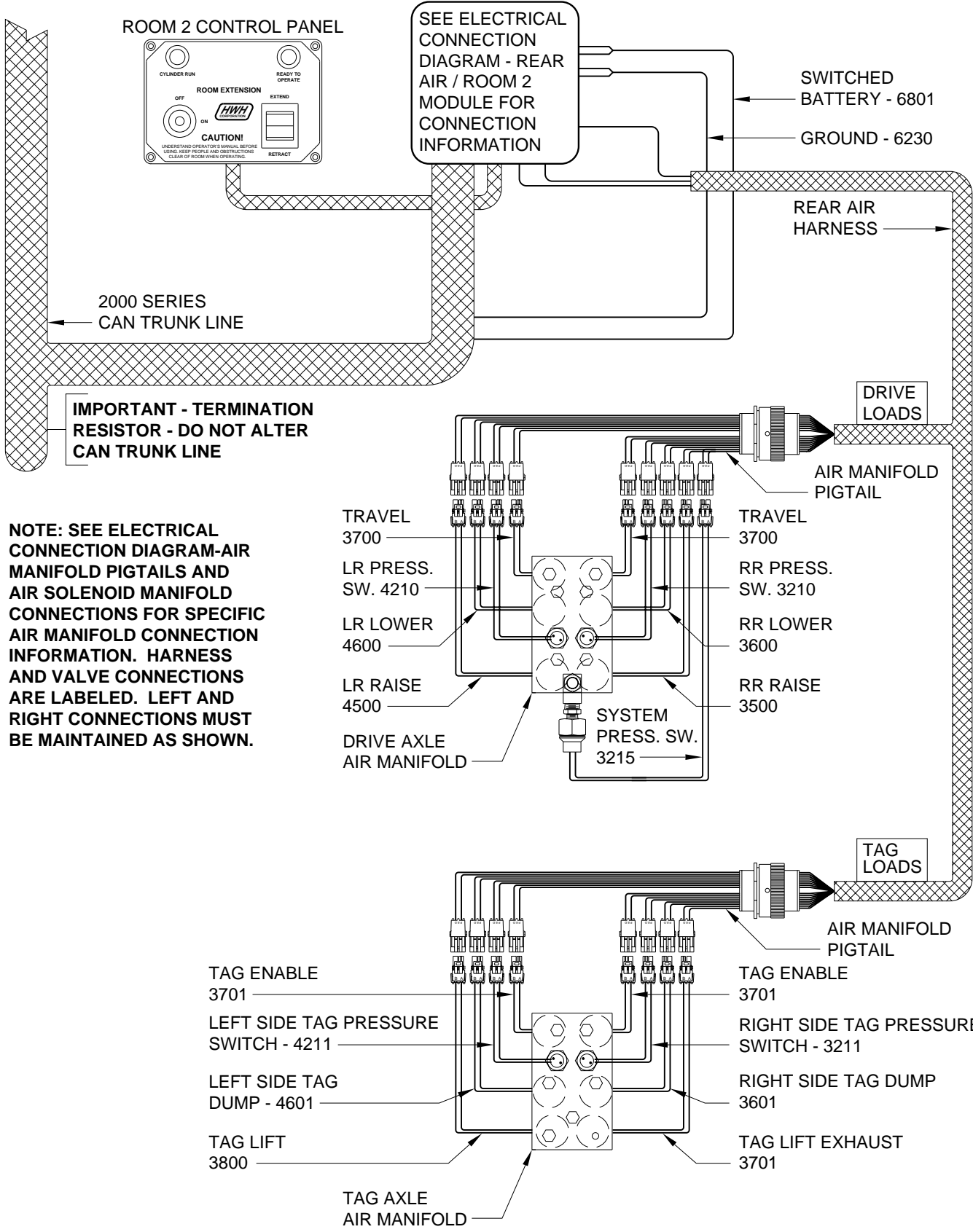
IMPORTANT: DO NOT MODIFY CAN TRUNK LINE.

ELECTRICAL CONNECTION DIAGRAM

2000 SERIES CAN SYSTEM

AIR LEVELING - WITH TAG AXLE - 2 ROOM EXTENSIONS

REAR AIR / ROOM 2 MODULE

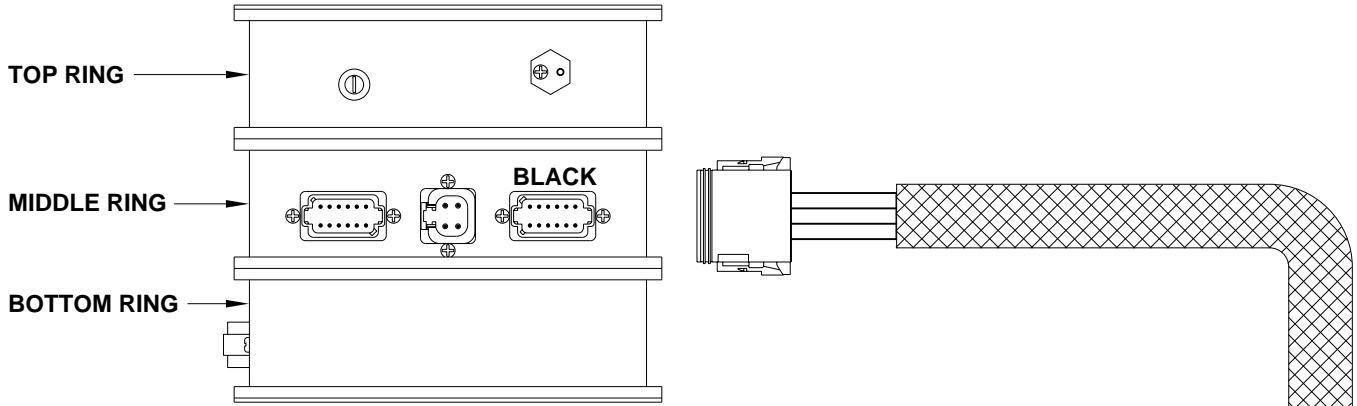


ELECTRICAL CONNECTION DIAGRAM

2000 SERIES ROOM EXTENSION

HYDRAULIC MANIFOLD

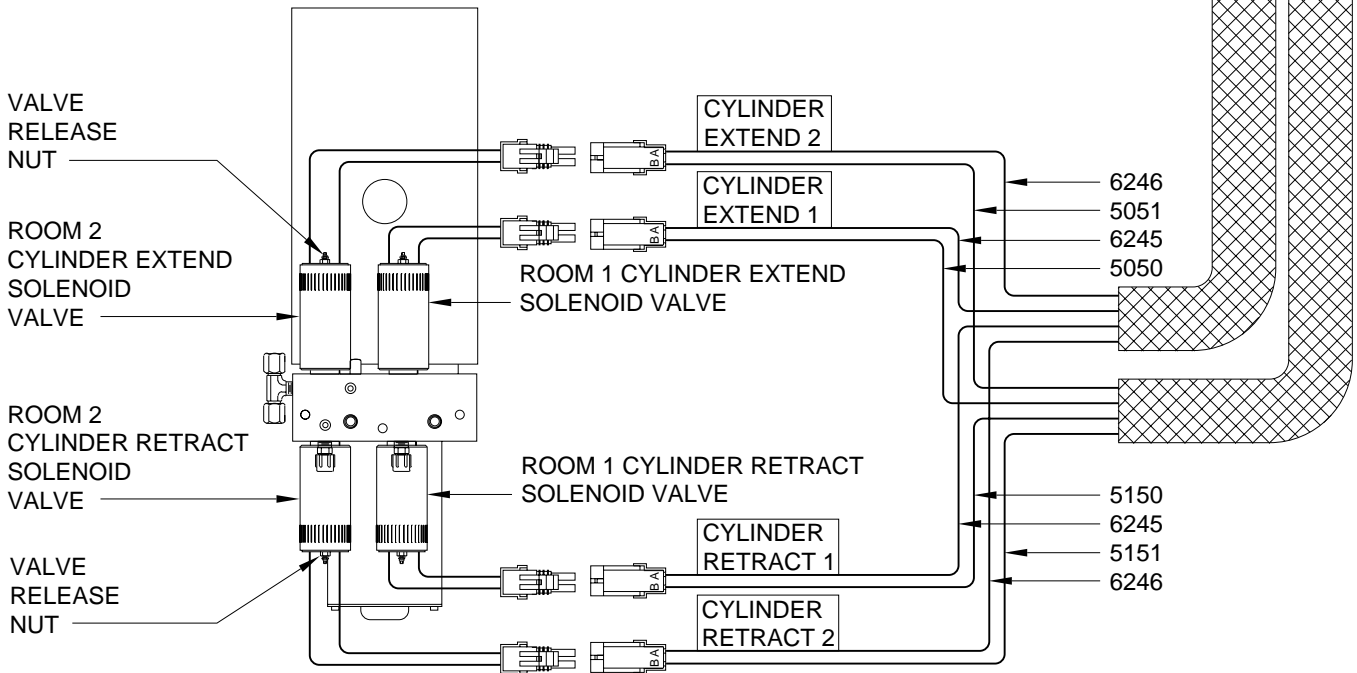
CENTRAL CONTROL/
FRONT AIR/
ROOM 1 MODULE



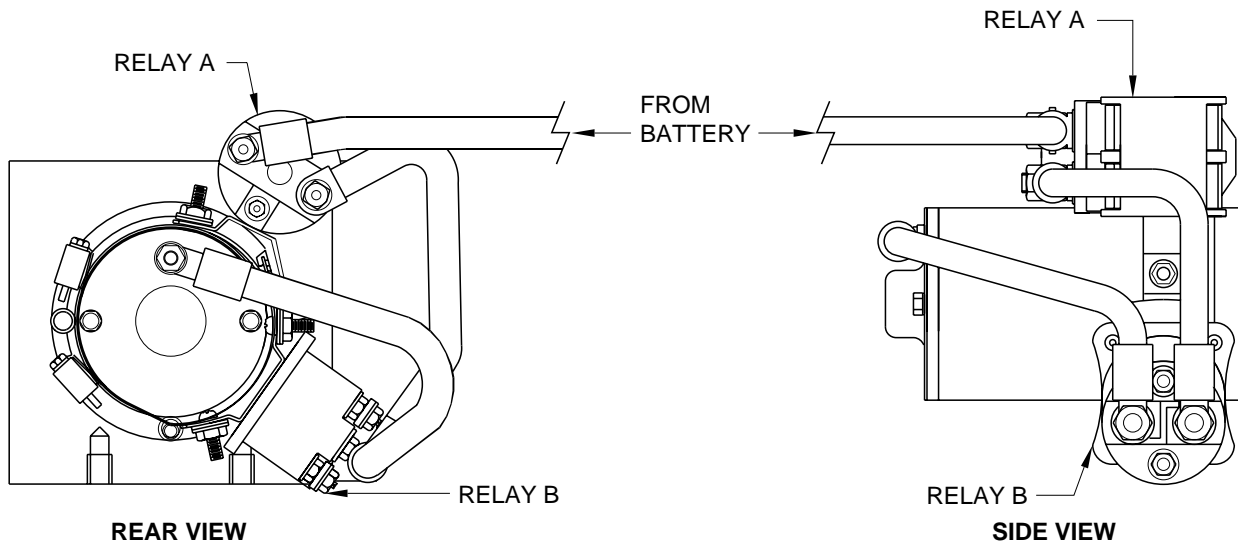
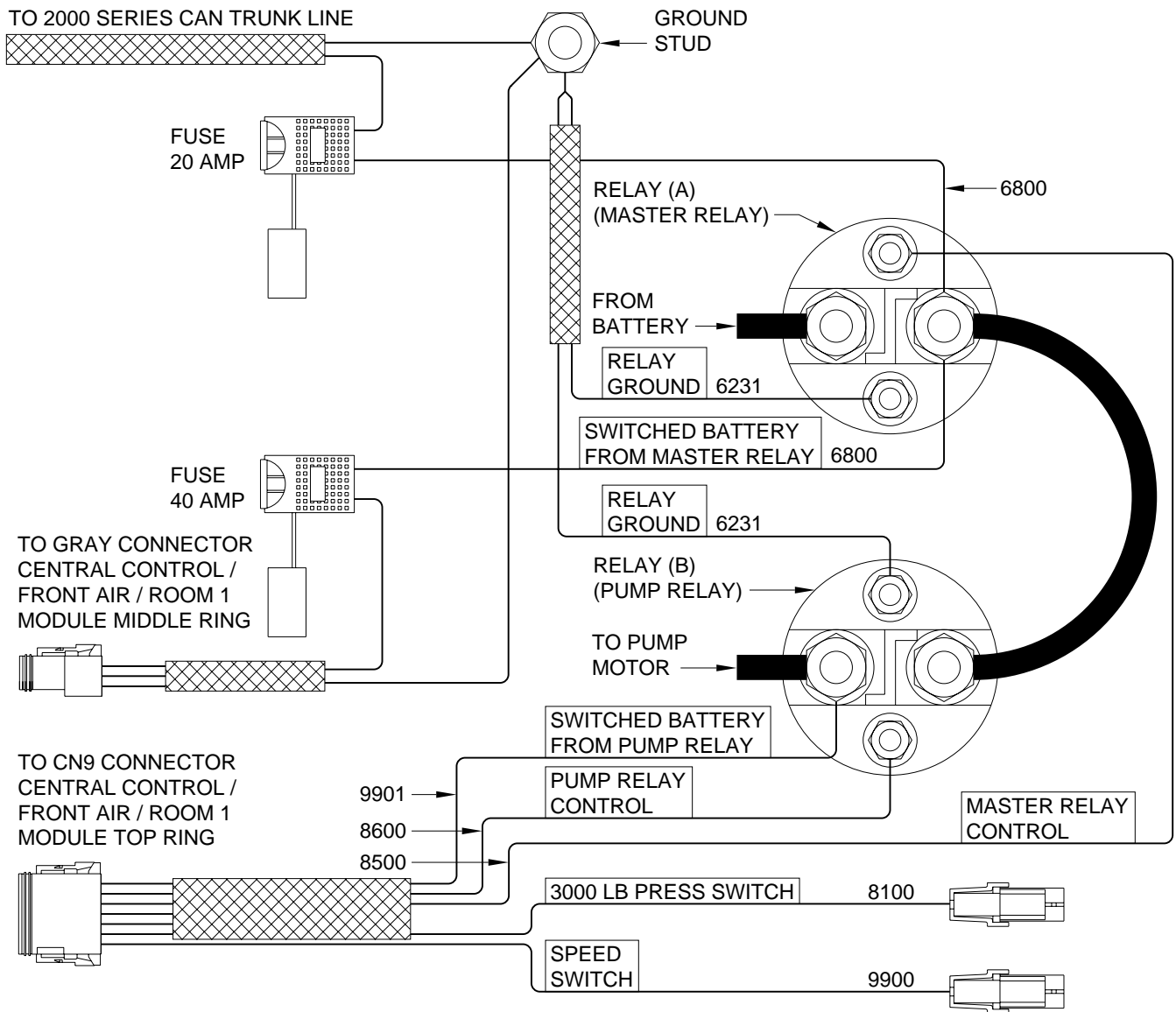
DO NOT REVERSE
WIRE COLORS TO
A & B ON PACKARD
CONNECTORS

HWH
GROUND
STUD

**TOP VIEW OF
PUMP/MANIFOLD**

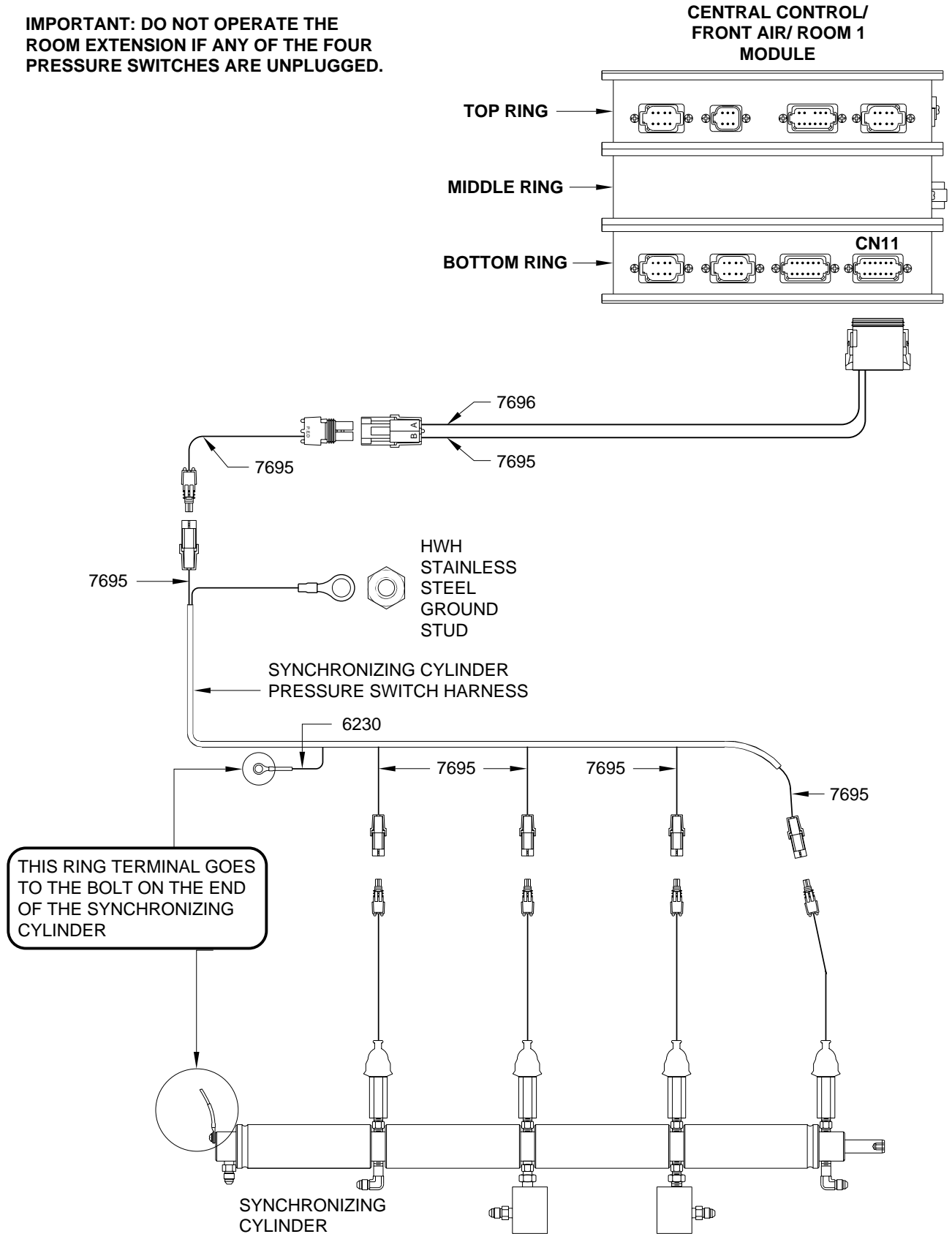


ELECTRICAL CONNECTION DIAGRAM 2000 SERIES ROOM EXTENSION SYSTEM MASTER AND PUMP RELAY

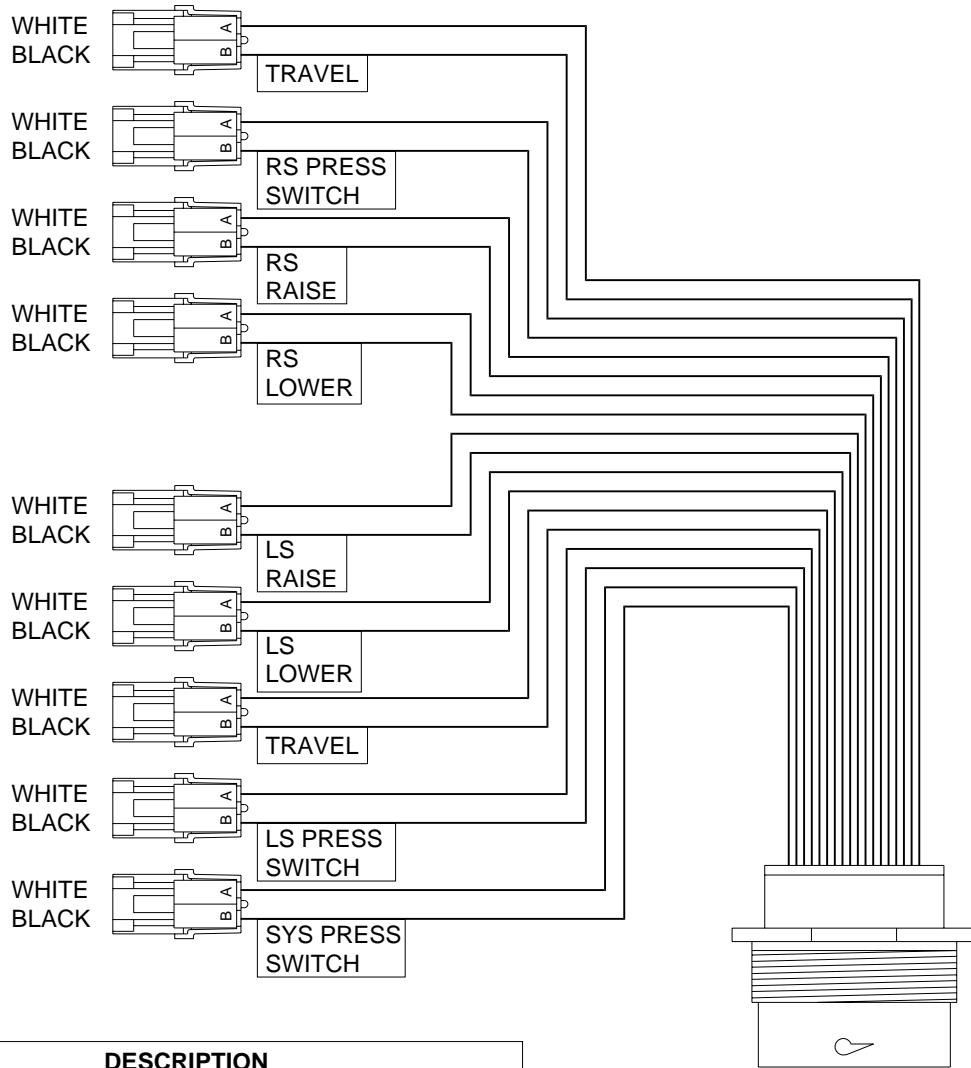


ELECTRICAL CONNECTION DIAGRAM ROOM EXTENSION SYNCHRONIZING CYLINDER PRESSURE SWITCHES

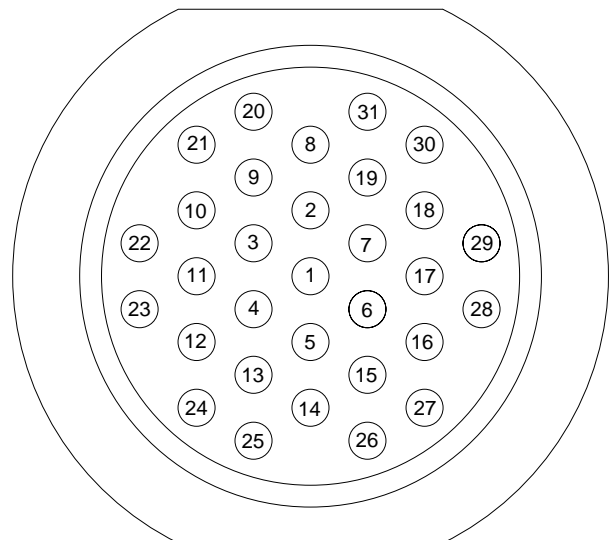
IMPORTANT: DO NOT OPERATE THE ROOM EXTENSION IF ANY OF THE FOUR PRESSURE SWITCHES ARE UNPLUGGED.



ELECTRICAL CONNECTION DIAGRAM AIR MANIFOLD PIGTAIL FRONT AND DRIVE AXLES



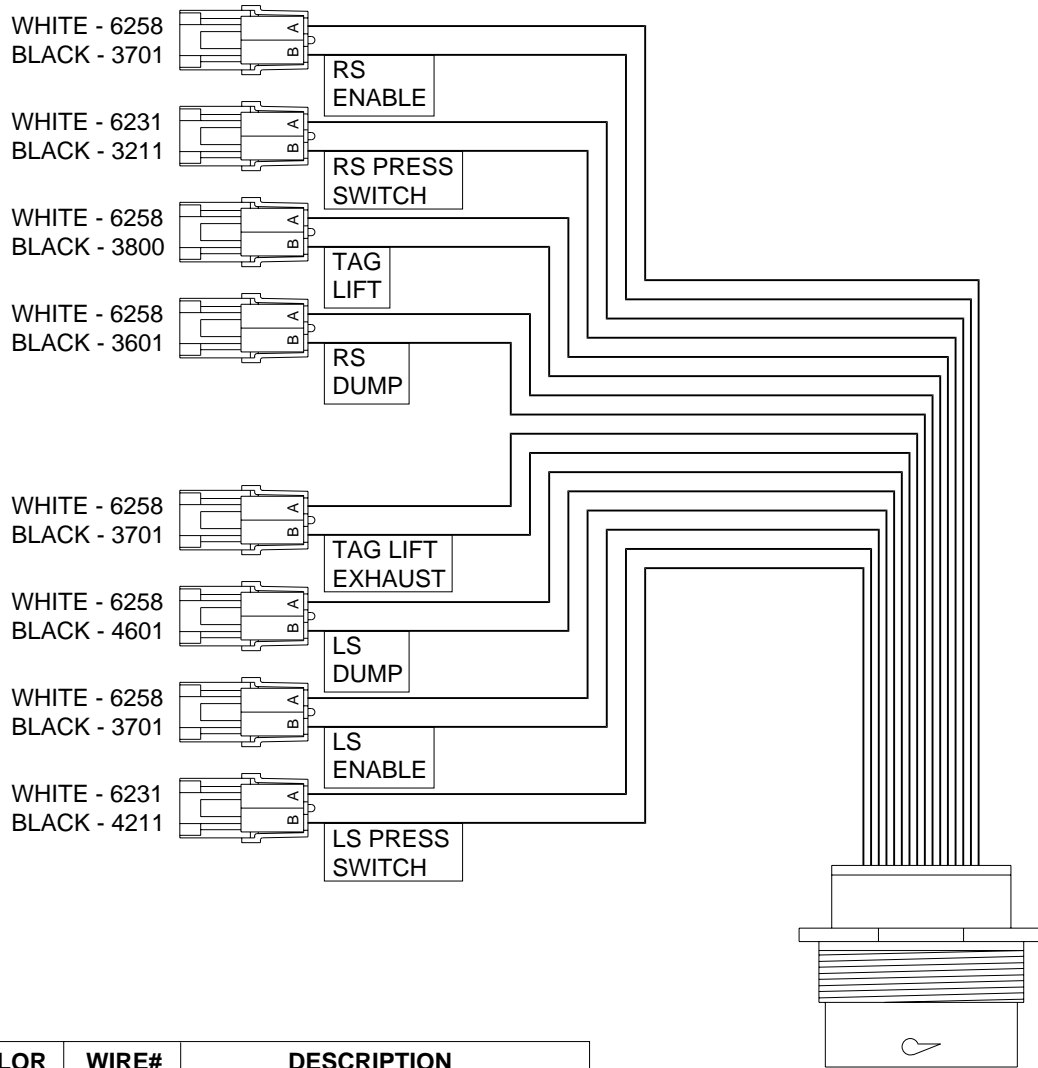
PIN	COLOR	DESCRIPTION
1	BLACK	TRAVEL
2	WHITE	GROUND
3	BLACK	RIGHT SIDE PRESSURE SWITCH
4	WHITE	GROUND
5	BLACK	RIGHT SIDE RAISE
6	WHITE	GROUND
7	BLACK	RIGHT SIDE LOWER
8	WHITE	GROUND
9	BLACK	LEFT SIDE RAISE
10	WHITE	GROUND
11	BLACK	LEFT SIDE LOWER
12	WHITE	GROUND
13	BLACK	TRAVEL
14	WHITE	GROUND
15	BLACK	LEFT SIDE PRESSURE SWITCH
16	WHITE	GROUND
17	BLACK	SYSTEM PRESSURE SWITCH
18	WHITE	GROUND
19 THROUGH 31		NOT USED



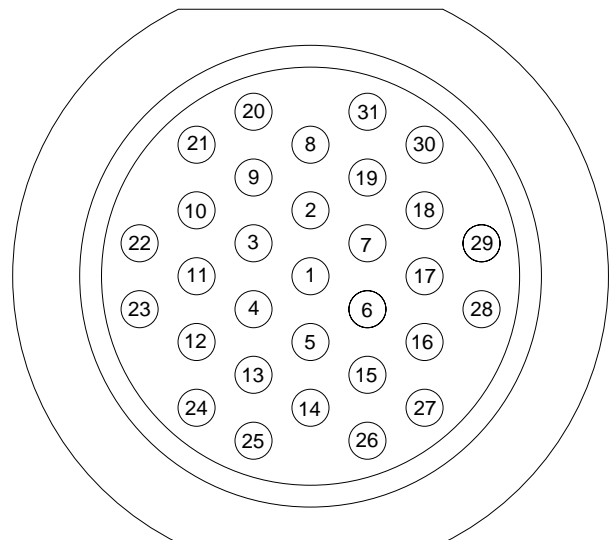
ELECTRICAL CONNECTION DIAGRAM

AIR MANIFOLD PIGTAIL

TAG AXLE



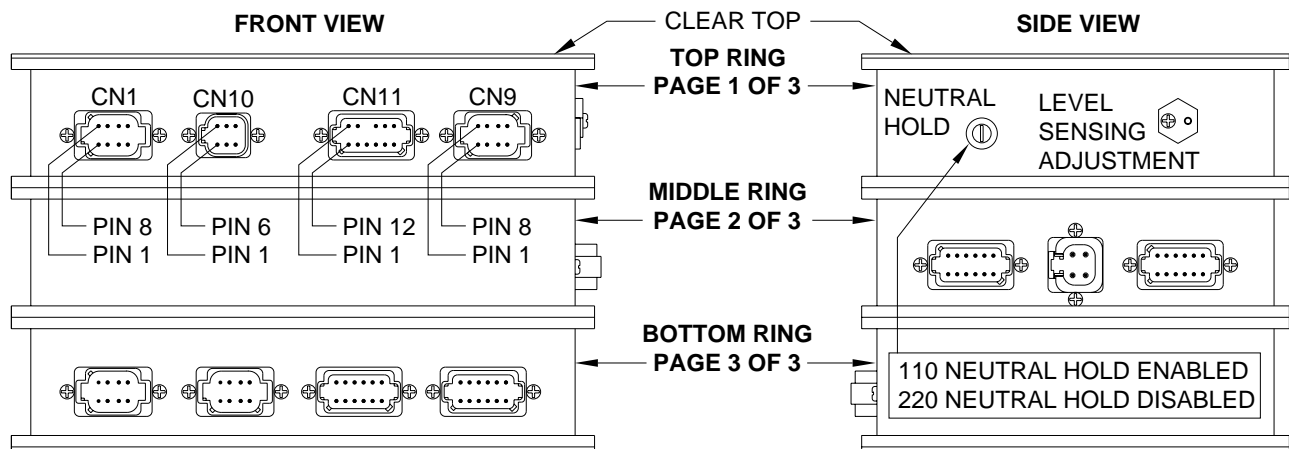
PIN	COLOR	WIRE#	DESCRIPTION
1	BLACK	3701	RIGHT SIDE ENABLE
2	WHITE	6258	GROUND
3	BLACK	3211	RIGHT SIDE PRESSURE SWITCH
4	WHITE	6231	GROUND
5	BLACK	3800	TAG LIFT
6	WHITE	6258	GROUND
7	BLACK	3601	RIGHT SIDE DUMP
8	WHITE	6258	GROUND
9	BLACK	3701	TAG LIFT EXHAUST
10	WHITE	6258	GROUND
11	BLACK	4601	LEFT SIDE DUMP
12	WHITE	6258	GROUND
13	BLACK	3701	LEFT SIDE ENABLE
14	WHITE	6258	GROUND
15	BLACK	4211	LEFT SIDE PRESSURE SWITCH
16	WHITE	6231	GROUND
17 THROUGH 31 NOT USED			



ELECTRICAL CONNECTION DIAGRAM

CENTRAL CONTROL / FRONT AIR / ROOM 1 MODULE

PAGE 1 OF 3

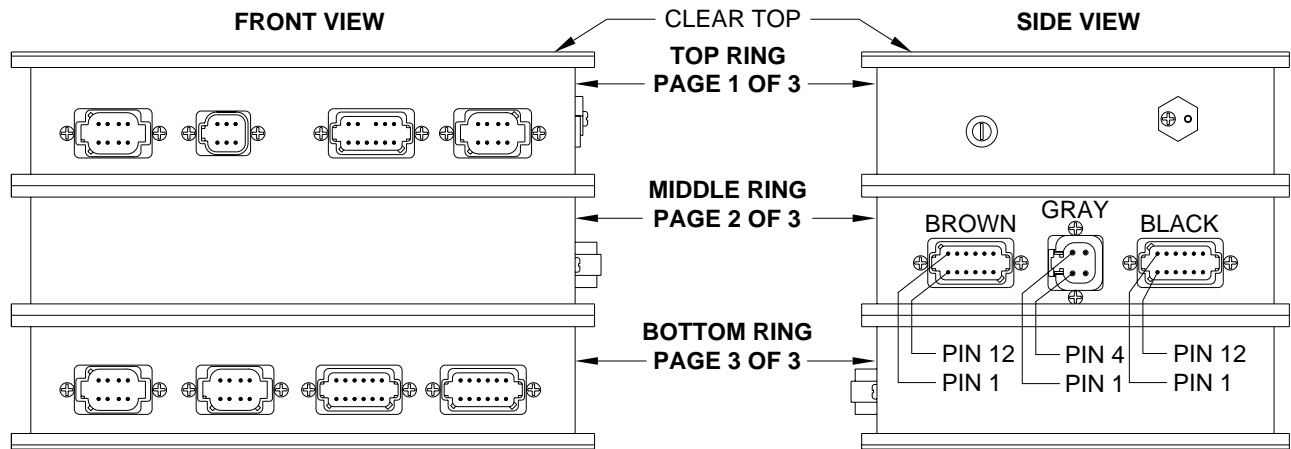


PIN #	WIRE COLOR	WIRE NUMBER	WIRE DESCRIPTION AND FUNCTION
CN1			8 PIN BLACK CONNECTOR
1 AND 2			NO CONNECTION
3	RED	6800	SWITCHED +12 BATTERY
4	WHITE	6230	GRND TO TOUCH PANEL
5			SHIELD WIRE FOR CAN CABLE
6			NO CONNECTION
7	GREEN		CAN DATA LINE LOW-DO NOT MODIFY
8	YELLOW		CAN DATA LINE HIGH-DO NOT MODIFY
CN10			6 PIN GRAY CONNECTOR
1	BLACK	7599	RESET SWITCH LIGHT CONTROL-SWITCHED +12
2	RED	6100	RESET SWITCH SUPPLY +12
3	BLACK	7550	RESET SWITCH OUTPUT +12
4	RED	6121	WARNING LIGHT SUPPLY +12
5	WHITE	6230	RESET SWITCH LIGHT GROUND
6	BLACK	7699	WARNING LIGHT CONTROL - SWITCHED GROUND
CN11			12 PIN GRAY CONNECTOR
1	RED	6110	SWITCHED +12 FROM IGNITION
2 THRU 4			NO CONNECTION
5	RED	6120	SWITCHED +12 FROM ACCESSORY
6	RED	6100	HOUSE BATTERY +12
7	WHITE	6230	GROUND FOR PROCESSOR FROM GROUND STUD
8 THRU 10			NO CONNECTION
11	BLACK	9000	FROM PARK BRAKE SWITCH - SWITCHED GROUND
12	RED	6101	ENGINE BATTERY +12
CN9			8 PIN GREEN CONNECTOR
1	BLACK	8500	MASTER RELAY CONTROL - SWITCHED +12
2	BLACK	8100	SYSTEM PRESSURE SWITCH-SWITCHED GROUND
3			NO CONNECTION
4	BLACK	8600	PUMP RELAY CONTROL - SWITCHED +12
5	BLACK	9900	SPEED SWITCH
6	BLACK	9901	PUMP MONITOR-SWITCHED +12 FROM PUMP RELAY
7 AND 8			NO CONNECTION

ELECTRICAL CONNECTION DIAGRAM

CENTRAL CONTROL / FRONT AIR / ROOM 1 MODULE

PAGE 2 OF 3

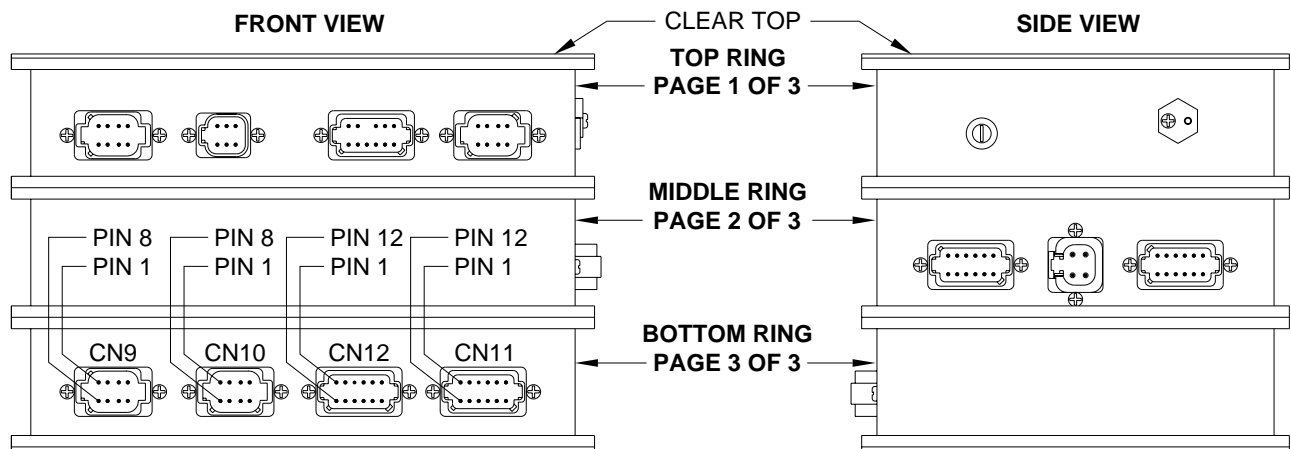


PIN #	WIRE COLOR	WIRE NUMBER	WIRE DESCRIPTION AND FUNCTION
BROWN			12 PIN BROWN CONNECTOR
1			NO CONNECTION
2	BLACK	1500	LEFT FRONT RAISE AIR VALVE CONTROL - SWITCHED +12
3	BLACK	1600	LEFT FRONT LOWER AIR VALVE CONTROL - SWITCHED +12
4	BLACK	2500	RIGHT FRONT RAISE AIR VALVE CONTROL - SWITCHED +12
5	BLACK	2600	RIGHT FRONT LOWER AIR VALVE CONTROL - SWITCHED +12
6	BLACK	9700	AUXILARY AIR COMPRESSOR CONTROL - SWITCHED +12
7			NO CONNECTION
8	BLACK	1700	FRONT AIR MANIFOLD TRAVEL VALVES CONTROL - SWITCHED +12
9			NO CONNECTION
10			NO CONNECTION
11	WHITE	6254	GROUND FOR AIR SOLENOID VALVES
12			NO CONNECTION
GRAY			4 PIN GRAY CONNECTOR
1	BLACK	6800	SWITCHED +12 FROM MASTER RELAY
2	BLACK	6800	SWITCHED +12 FROM MASTER RELAY
3	WHITE	6230	GROUND FROM GROUND STUD - FOR SOLENOID VALVES
4	WHITE	6230	GROUND FROM GROUND STUD - FOR SOLENOID VALVES
BLACK			12 PIN BLACK CONNECTOR
1	BLACK	5050	ROOM 1 CYLINDER EXTEND SOLENOID VALVE SWITCHED +12
2	BLACK	5150	ROOM 1 CYLINDER RETRACT SOLENOID VALVE SWITCHED +12
3	BLACK	5051	ROOM 2 CYLINDER EXTEND SOLENOID VALVE SWITCHED +12
4	BLACK	5151	ROOM 2 CYLINDER RETRACT SOLENOID VALVE SWITCHED +12
5 THRU 12			NO CONNECTION

ELECTRICAL CONNECTION DIAGRAM

CENTRAL CONTROL / FRONT AIR / ROOM 1 MODULE

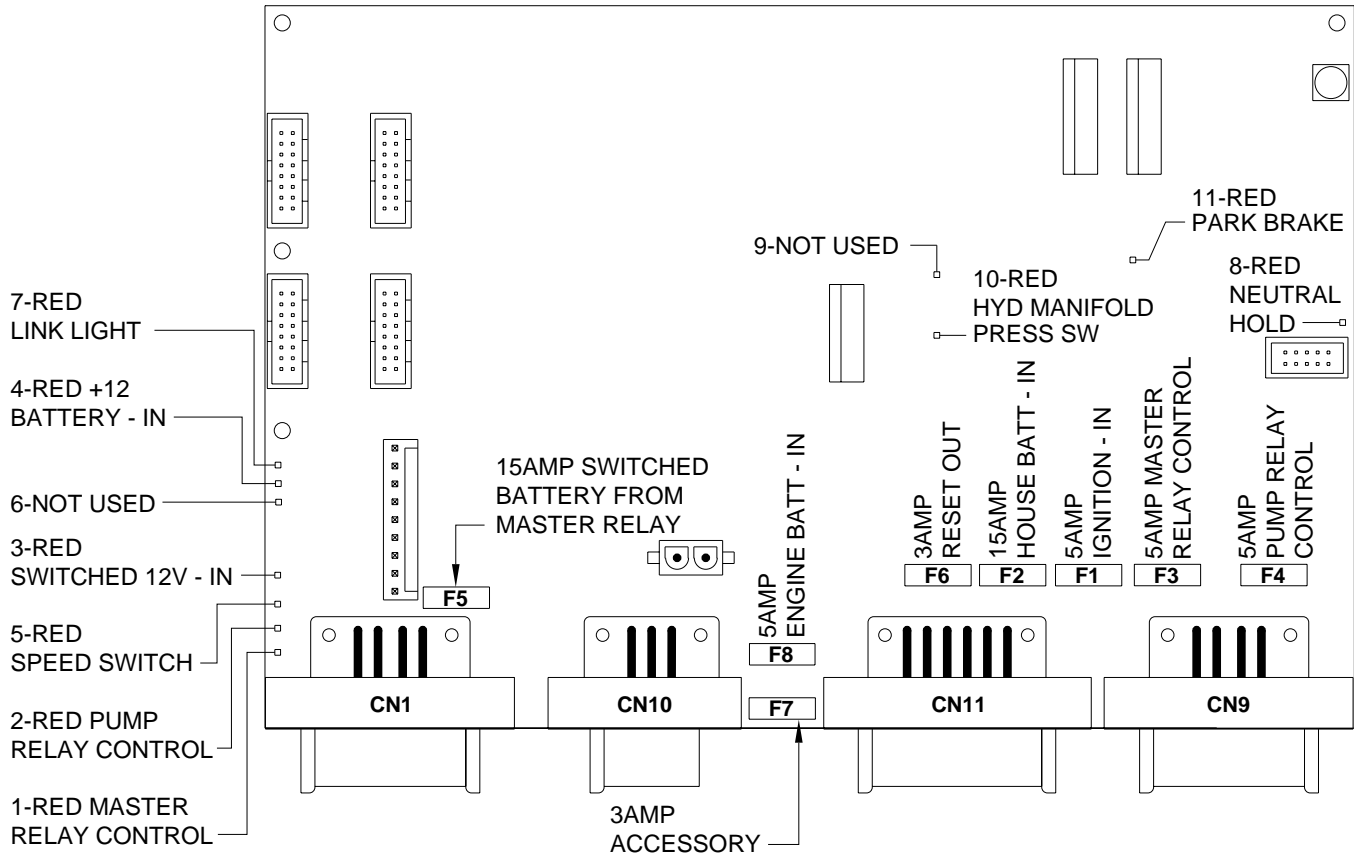
PAGE 3 OF 3



PIN #	WIRE COLOR	WIRE NUMBER	WIRE DESCRIPTION AND FUNCTION
CN9			8 PIN BLACK CONNECTOR
1	BLACK	7696	SYSTEM WAKE UP SWITCHED GROUND
2			NO CONNECTION
3	RED	6800	SWITCHED +12 BATTERY
4	WHITE	6230	GROUND
5			SHIELD WIRE FOR CAN CABLE
6	RED	6110	IGNITION +12
7	GREEN		CAN DATA LINE LOW - DO NOT MODIFY
8	YELLOW		CAN DATA LINE HIGH - DO NOT MODIFY
CN10			8 PIN GRAY CONNECTOR
1			NO CONNECTION
2	BLACK	7510	READY TO OPERATE LIGHT CONTROL SWITCHED +12
3	BLACK	7530	PUMP ON LIGHT CONTROL - SWITCHED +12
4	BLACK	7501	ROOM EXTEND SWITCHED +12
5	BLACK	7502	ROOM RETRACT SWITCHED +12
6	RED	6805	SWITCHED +12 BATTERY TO ROOM PANEL KEY SWITCH
7	BLACK	7696	SYSTEM WAKE UP - SWITCHED GROUND
8	WHITE	6230	GROUND TO ROOM PANEL KEY SWITCH
CN12			12 PIN GRAY CONNECTOR
1 THRU 5			NO CONNECTION
6	WHITE	6236	GROUND FOR AIR MANIFOLD PRESSURE SWITCHES
7	BLACK	6800	SWITCHED +12 FOR TAG DUMP SWITCH (NOT USED)
8 AND 9			NO CONNECTION
10	BLACK	2210	RIGHT FRONT AIR PRESSURE SWITCH INPUT SWITCHED GROUND
11	BLACK	7521	TAG LIFT-SWITCHED +12 FROM TAG DUMP SWITCH
12			NO CONNECTION
CN11			12 PIN GREEN CONNECTOR
1	BLACK	7695	SWITCHED GROUND FROM ROOM 1 SYNC CYL PRESS SWITCHES
2	BLACK	7697	SWITCHED GRND FROM ROOM 2 SYNC CYL PRESS SW (NOT USED)
3 THRU 5			NO CONNECTION
6	WHITE	6235	GROUND FOR AIR MANIFOLD PRESSURE SWITCHES
7 THRU 9			NO CONNECTION
10	BLACK	1210	LEFT FRONT AIR PRESSURE SWITCH INPUT SWITCHED GROUND
11 AND 12			NO CONNECTION

ELECTRICAL CONNECTION DIAGRAM
LED - FUSE LOCATION AND DESCRIPTION
CENTRAL CONTROL / FRONT AIR / ROOM 1 MODULE (TOP RING)
PAGE 1A OF 4

CENTRAL CONTROL MOTHER BOARD



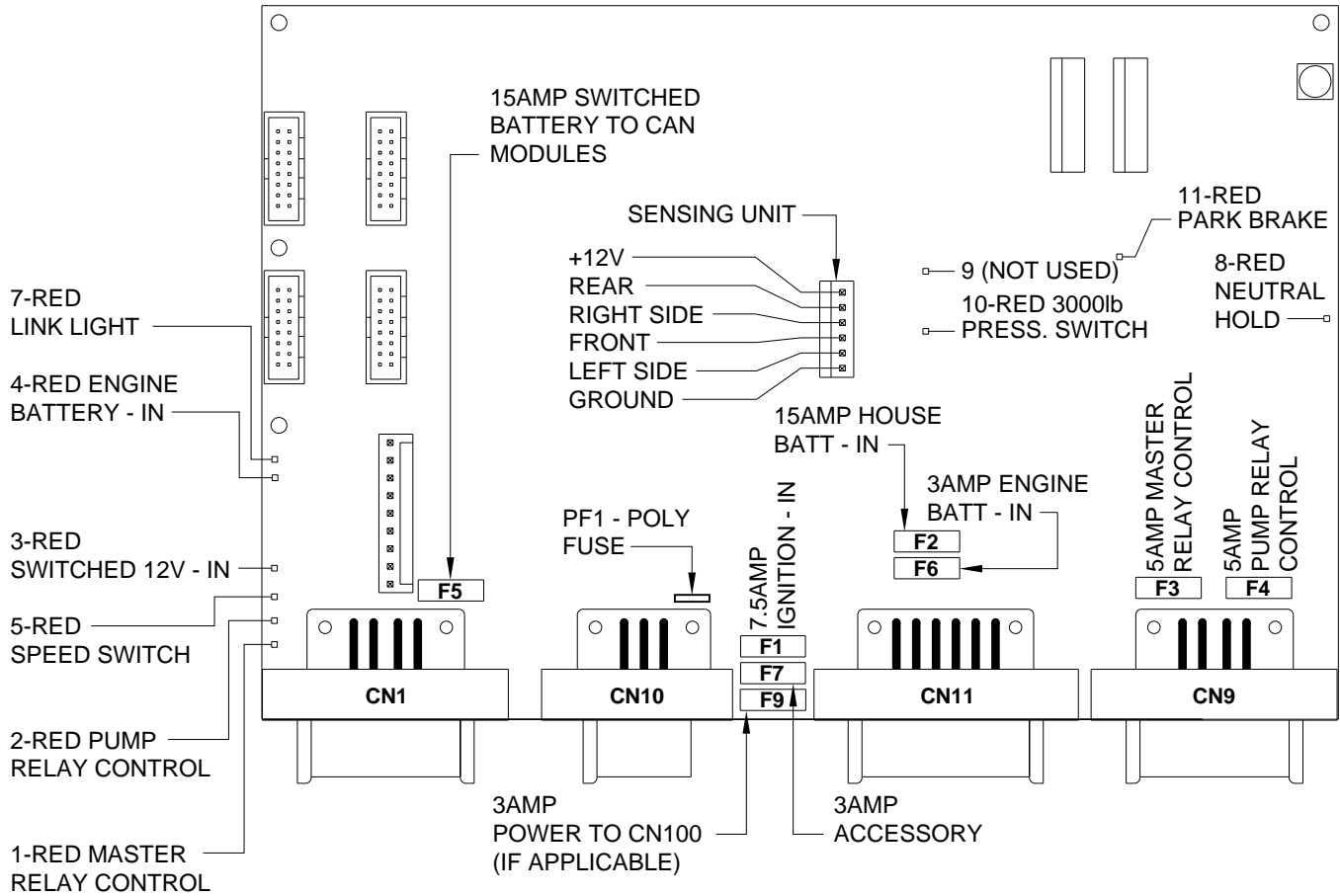
LED	DESCRIPTION	CN AND PIN
1-RED	MASTER RELAY CONTROL	CN 9 - PIN 1
2-RED	PUMP RELAY CONTROL	CN 9 - PIN 4
3-RED	SWITCHED 12V FROM MASTER RELAY	CN 1 - PIN 3
4-RED	ENGINE BATTERY - IN	CN 11 - PIN 12
5-RED	SPEED SWITCH	CN 9 - PIN 5
6-NOT USED	NOT USED	NOT USED
7-RED	LINK LIGHT	CN 1 - PIN 7 & 8
8-RED	NEUTRAL HOLD	CN 11 - PIN 8 & 9
9-NOT USED	NOT USED	NOT USED
10-RED	3000 LBS PRESS SWITCH - ON	CN 9 - PIN 2
11-RED	PARK PRAKE - ON	CN 11 - PIN 11

FUSE DESCRIPTION
F1 - 5AMP IGNITION - IN
F2 - 15AMP HOUSE BATTERY - IN
F3 - 5AMP MASTER RELAY CONTROL
F4 - 5AMP PUMP RELAY CONTROL
F5 - 15AMP SWITCHED BATTERY - IN
F6 - 3AMP RESET OUT
F7 - 3AMP IGNITION - IN
F8 - 5AMP ENGINE BATTERY - IN

NOTE: FOR DETAILED INPUT / OUTPUT INFORMATION ABOUT PIN CONNECTIONS SEE ELECTRICAL CONNECTION DIAGRAM - CENTRAL CONTROL / FRONT AIR / ROOM 1 MODULE CONNECTION INFORMATION - PAGE 1 OF 3.

ELECTRICAL CONNECTION DIAGRAM
LED - FUSE LOCATION AND DESCRIPTION
CENTRAL CONTROL / FRONT AIR / ROOM 1 MODULE (TOP RING)
PAGE 1B OF 4

CENTRAL CONTROL MOTHER BOARD

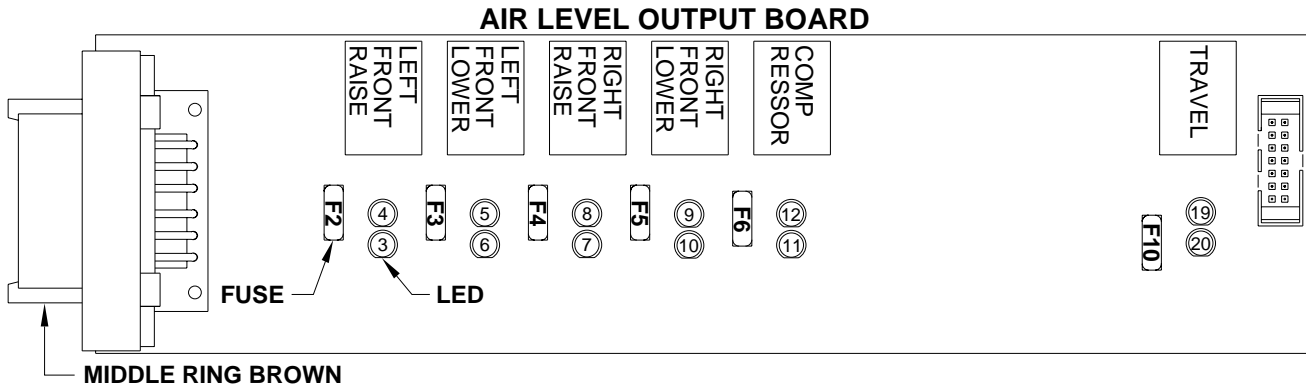


LED	DESCRIPTION	CN AND PIN	FUSE DESCRIPTION
1-RED	MASTER RELAY CONTROL (NOT USED)	CN 9 - PIN 1	PF1 - POLY FUSE - POWER TO MASTER WARNING LIGHT AND RESET SWITCH F1 - 7.5AMP IGNITION - IN F2 - 15AMP HOUSE BATTERY - IN F3 - 5AMP MASTER RELAY CONTROL F4 - 5AMP PUMP RELAY CONTROL F5 - 15AMP SWITCHED BATTERY - IN F6 - 3AMP RESET OUT F7 - 3AMP ACCESSORY - IN F9 - 3AMP POWER TO CN100 (IF APPLICABLE)
2-RED	PUMP RELAY CONTROL (NOT USED)	CN 9 - PIN 4	
3-RED	SWITCHED 12V FROM MASTER RELAY	CN 1 - PIN 3	
4-RED	ENGINE BATTERY - IN	CN 11 - PIN 12	
5-RED	SPEED SWITCH*	CN 9 - PIN 5	
7-RED	LINK LIGHT	CN 1 - PIN 7 & 8	
8-RED	NEUTRAL HOLD**	CN 11 - PIN 8 & 9	
9-NOT USED	NOT USED	NOT USED	
10-RED	3000 LBS PRESS SWITCH - ON	CN 9 - PIN 2	
11-RED	PARK PRAKE - ON	CN 11 - PIN 11	

NOTE: FOR DETAILED INPUT / OUTPUT INFORMATION ABOUT PIN CONNECTIONS SEE ELECTRICAL CONNECTION DIAGRAM - CENTRAL CONTROL / FRONT AIR / ROOM 1 MODULE CONNECTION INFORMATION - PAGE 1 OF 3.

* LED 5 INDICATES A +12 SIGNAL FROM THE SPEED SWITCH - IGNITION ON COACH SPEED LESS THAN 10 MPH
 ** LED 8 INDICATES TRANSMISSION IS DISABLED WHEN LIT.

ELECTRICAL CONNECTION DIAGRAM
LED - FUSE LOCATION AND DESCRIPTION
CENTRAL CONTROL / FRONT AIR / ROOM 1 MODULE (MIDDLE RING)
PAGE 2 OF 4



LED	RELAY DESCRIPTION	FUSE	BROWN
3-RED	LEFT FRONT RAISE - CONTACT	F2-5 AMP	PIN 2
4-YELLOW	LEFT FRONT RAISE - COIL		
5-YELLOW	LEFT FRONT LOWER - COIL	F3-5 AMP	PIN 3
6-RED	LEFT FRONT LOWER - CONTACT		
7-RED	RIGHT FRONT RAISE - CONTACT	F4-5 AMP	PIN 4
8-YELLOW	RIGHT FRONT RAISE - COIL		
9-YELLOW	RIGHT FRONT LOWER - COIL	F5-5 AMP	PIN 5
10-RED	RIGHT FRONT LOWER - CONTACT		
11-RED	COMPRESSOR - CONTACT	F6-5 AMP	PIN 6
12-YELLOW	COMPRESSOR - COIL		
19-YELLOW	TRAVEL - COIL	F10-7.5 AMP	PIN 8
20-RED	TRAVEL - CONTACT		

NOTE: FOR DETAILED INPUT / OUTPUT INFORMATION ABOUT PIN CONNECTIONS SEE ELECTRICAL CONNECTION DIAGRAM - CENTRAL CONTROL / FRONT AIR / ROOM 1 MODULE CONNECTION INFORMATION - PAGE 2 OF 3.

NOTE: A LIT YELLOW LED INDICATES THERE IS A GROUND SIGNAL TO TURN THE CORRESPONDING RELAY ON.

A LIT RED LED INDICATES THERE IS VOLTAGE ON IT'S CORRESPONDING PIN.

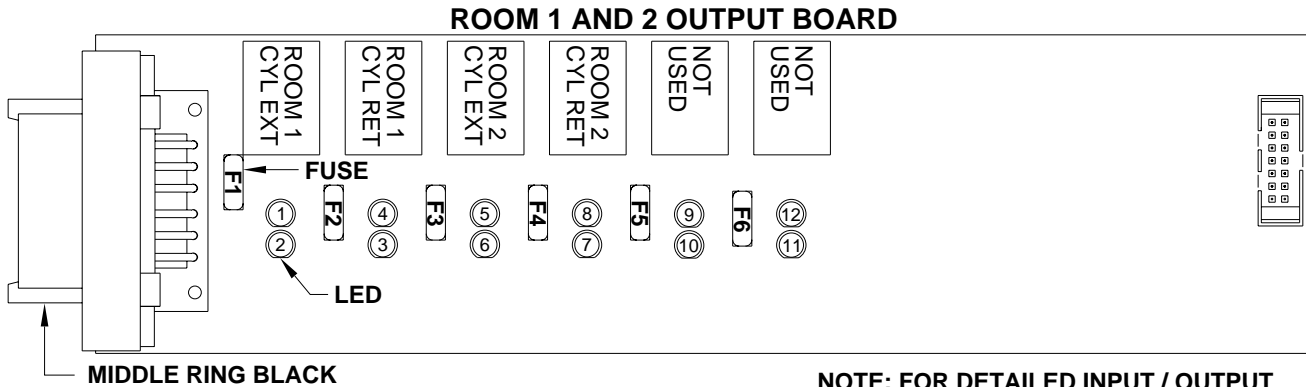
IF A YELLOW LED IS LIT AND THE CORRESPONDING RED LED IS OFF, EITHER IT'S FUSE IS BLOWN OR THE RELAY IS BAD. *

*** NOTE: THE TRAVEL RELAY IS WIRED AS A NORMALLY CLOSED RELAY. WHEN THE YELLOW LED (19) IS ON THE RELAY CONTACTS WILL OPEN. THE RED LED (20) WILL NOT BE ON. THE RED LED WILL BE ON IF THE LEVELING SYSTEM IS IN THE TRAVEL MODE AND THE IGNITION IS ON.**

IF THE YELLOW LEDS ARE WORKING BUT NO RED LED IS COMING ON THERE IS A PROBLEM WITH INPUT VOLTAGE IN THE 4-PIN CONNECTOR ON THE MIDDLE RING. *

IF A YELLOW LED IS NOT LIT, THIS INDICATES A PROBLEM WITH A MODULE. *

ELECTRICAL CONNECTION DIAGRAM
LED - FUSE LOCATION AND DESCRIPTION
CENTRAL CONTROL / FRONT AIR / ROOM 1 MODULE (MIDDLE RING)
PAGE 3 OF 4



NOTE: FOR DETAILED INPUT / OUTPUT INFORMATION ABOUT PIN CONNECTIONS SEE ELECTRICAL CONNECTION DIAGRAM - CENTRAL CONTROL / FRONT AIR / ROOM 1 MODULE CONNECTION INFORMATION - PAGE 2 OF 3.

NOTE: A LIT YELLOW LED INDICATES THERE IS A GROUND SIGNAL TO TURN THE CORRESPONDING RELAY ON.

A LIT RED LED INDICATES THERE IS VOLTAGE ON IT'S CORRESPONDING PIN.

IF A YELLOW LED IS LIT AND THE CORRESPONDING RED LED IS OFF, EITHER IT'S FUSE IS BLOWN OR THE RELAY IS BAD.

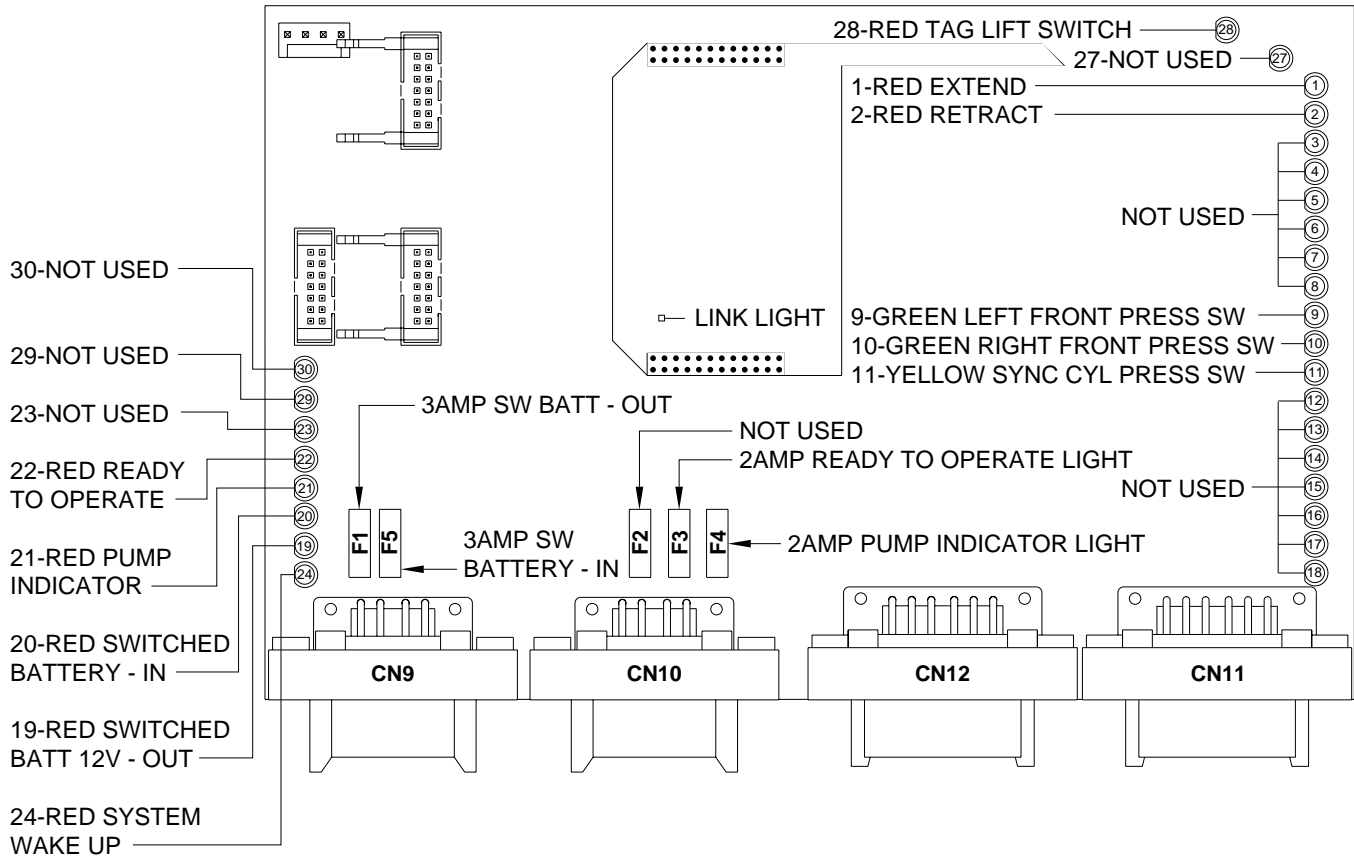
IF THE YELLOW LEDS ARE WORKING BUT NO RED LED IS COMING ON THERE IS A PROBLEM WITH INPUT VOLTAGE IN THE 4-PIN CONNECTOR ON THE MIDDLE RING.

IF A YELLOW LED IS NOT LIT, THIS INDICATES A PROBLEM WITH A MODULE.

LED	RELAY DESCRIPTION	FUSE	BROWN
1-YELLOW	ROOM 1 CYL EXTEND - COIL		
2-RED	ROOM 1 CYL EXTEND - CONTACT	F1-15 AMP	PIN 1
3-RED	ROOM 1 CYL RETRACT - CONTACT	F2-15 AMP	PIN 2
4-YELLOW	ROOM 1 CYL RETRACT - COIL		
5-YELLOW	ROOM 2 CYL EXTEND - COIL		
6-RED	ROOM 2 CYL EXTEND - CONTACT	F3-15 AMP	PIN 3
7-RED	ROOM 2 CYL RETRACT - CONTACT	F4-15 AMP	PIN 4
8-YELLOW	ROOM 2 CYL RETRACT - COIL		
9-YELLOW	NOT USED		
10-RED	NOT USED		
11-RED	NOT USED		
12-YELLOW	NOT USED		

ELECTRICAL CONNECTION DIAGRAM
LED - FUSE LOCATION AND DESCRIPTION
CENTRAL CONTROL / FRONT AIR / ROOM 1 MODULE (BOTTOM RING)
PAGE 4 OF 4

ROOM 1 I/O BOARD

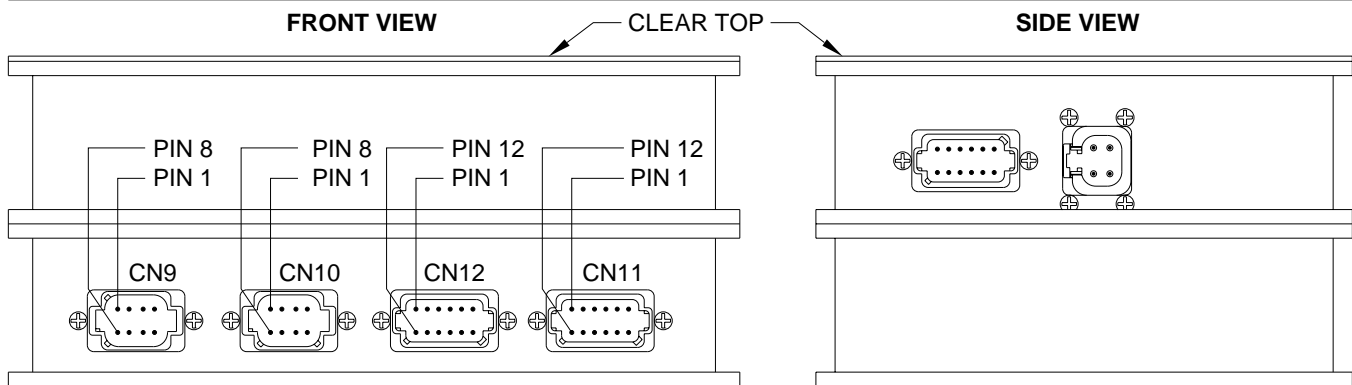


LED	DESCRIPTION	CN AND PIN	FUSE DESCRIPTION
1-RED	EXTEND	CN 10 - PIN 4	F1 - 3AMP SW BATTERY OUT
2-RED	RETRACT	CN 10 - PIN 5	F2 - 2AMP NOT USED
3 THRU 8-NOT USED			F3 - 2AMP READY TO OPERATE LIGHT
9-GREEN	LEFT FRONT PRESS SW	CN 11 - PIN 10	F4 - 2AMP PUMP INDICATOR LIGHT
10-GREEN	RIGHT FRONT PRESS SW	CN 12 - PIN 10	F5 - 3AMP SWITCHED BATTERY - IN
11-YELLOW	SYNC CYL PRESS SW	CN 11 - PIN 1	
12 THRU 18-NOT USED			
19-RED	SWITCH BATT 12V-OUT	CN 11/CN 12 - PIN 7	
20-RED	SWITCHED BATTERY	CN 9 - PIN 3	
21-RED	PUMP INDICATOR	CN 10 - PIN 3	
22-RED	READY TO OPERATE	CN 10 - PIN 2	
23-NOT USED			
24-RED	SYSTEM WAKE UP	CN 10 - PIN 7	
27-NOT USED			
28-RED	TAG LIFT SWITCH	CN 12 - PIN 11	
29 AND 30-NOT USED			

ELECTRICAL CONNECTION DIAGRAM

REAR AIR / ROOM 2 MODULE

PAGE 1 OF 2

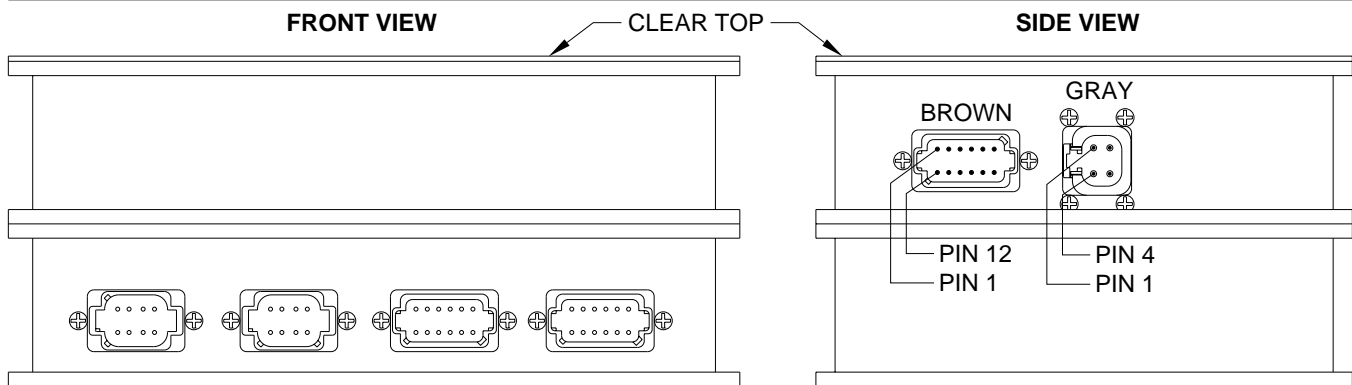


PIN #	WIRE COLOR	WIRE NUMBER	WIRE DESCRIPTION AND FUNCTION
CN9			8 PIN BLACK CONNECTOR
1	BLACK	7696	SYSTEM WAKE UP SWITCHED GROUND
2			NO CONNECTION
3	RED	6800	SWITCHED +12 BATTERY
4	WHITE	6230	GROUND
5			SHIELD WIRE FOR CAN CABLE
6	RED	6110	IGNITION +12
7	GREEN		CAN DATA LINE LOW - DO NOT MODIFY
8	YELLOW		CAN DATA LINE HIGH - DO NOT MODIFY
CN10			8 PIN GRAY CONNECTOR
1			NO CONNECTION
2	BLACK	7510	READY TO OPERATE LIGHT CONTROL SWITCHED +12
3	BLACK	7530	PUMP ON LIGHT CONTROL SWITCHED +12
4	BLACK	7501	ROOM 2 EXTEND - SWITCHED +12
5	BLACK	7502	ROOM 2 RETRACT - SWITCHED +12
6	RED	6805	SWITCHED +12 BATTERY TO ROOM PANEL KEY SWITCH
7	BLACK	7696	SYSTEM WAKE UP - SWITCHED GROUND
8	WHITE	6230	GROUND TO ROOM PANEL KEY SWITCH
CN12			12 PIN GRAY CONNECTOR
1	BLACK	4211	LEFT REAR TAG PRESSURE SWITCH INPUT SWITCHED GROUND
2	BLACK	3211	RIGHT REAR TAG PRESSURE SWITCH INPUT SWITCHED GROUND
3	BLACK	3215	SYSTEM PRESSURE SWITCH INPUT SWITCHED GROUND
4 AND 5			NO CONNECTION
6	WHITE	6231	GROUND FOR PRESSURE SWITCHES
7 THRU 12			NO CONNECTION
CN11			12 PIN GREEN CONNECTOR
1			NO CONNECTION
2	BLACK	4210	LEFT REAR PRESSURE SWITCH INPUT - SWITCHED GROUND
3	BLACK	3210	RIGHT REAR PRESSURE SWITCH INPUT - SWITCHED GROUND
4 AND 5			NO CONNECTION
6	WHITE	6232	GROUND
7 THRU 12			NO CONNECTION

ELECTRICAL CONNECTION DIAGRAM

REAR AIR / ROOM 2 MODULE

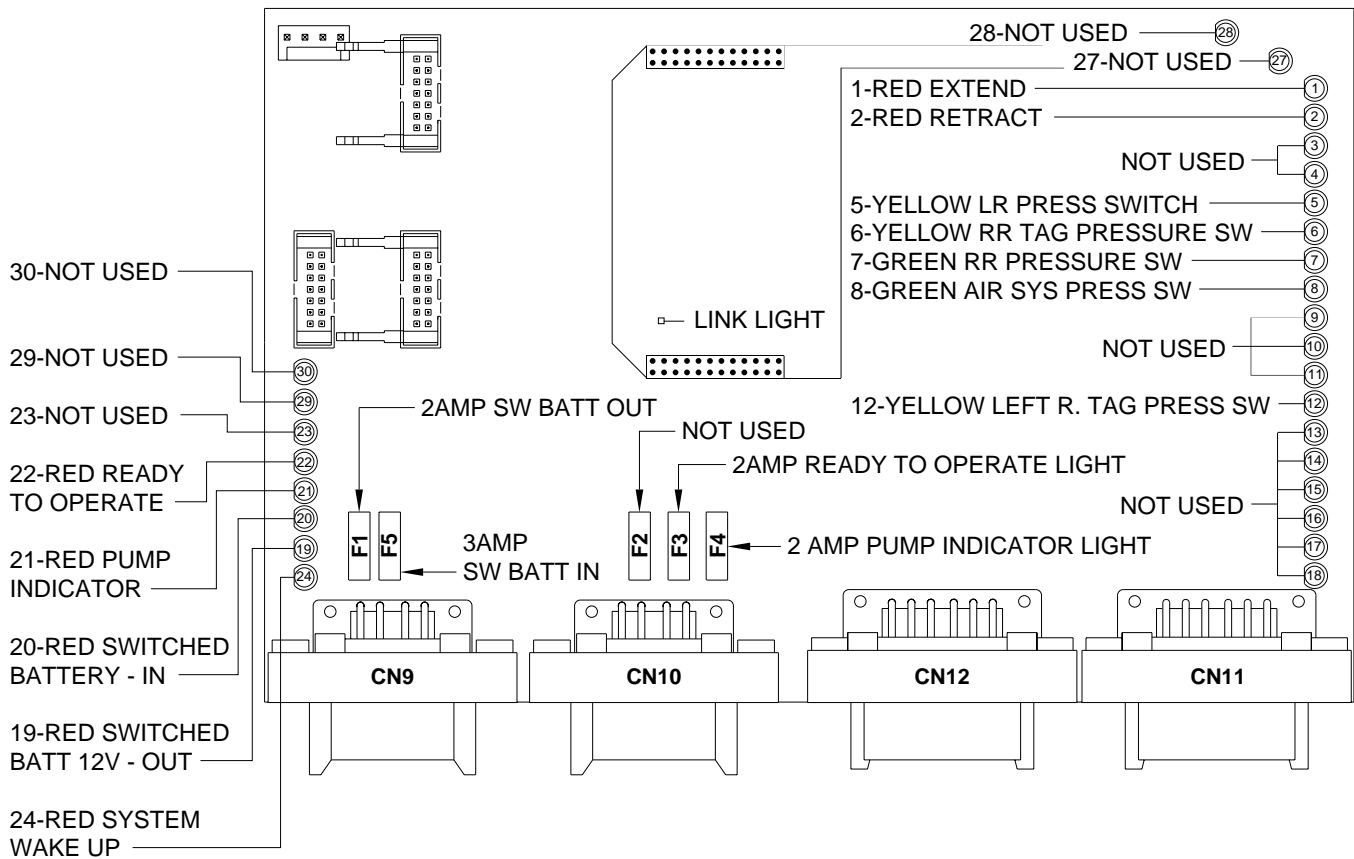
PAGE 2 OF 2



PIN #	WIRE COLOR	WIRE NUMBER	WIRE DESCRIPTION AND FUNCTION
BROWN			12 PIN BROWN CONNECTOR
1	BLACK	3800	TAG LIFT SWITCHED +12 FROM TAG DUMP SWITCH
2	BLACK	4500	LEFT REAR RAISE SWITCHED +12
3	BLACK	4600	LEFT REAR LOWER SWITCHED +12
4	BLACK	3500	RIGHT REAR RAISE SWITCHED +12
5	BLACK	3600	RIGHT REAR LOWER SWITCHED +12
6			NO CONNECTION
7	BLACK	3701	TAG ENABLE SWITCHED +12
8	BLACK	3700	REAR TRAVEL SWITCHED +12
9	BLACK	3601	RIGHT SIDE TAG DUMP SWITCHED +12
10	BLACK	4601	LEFT SIDE TAG DUMP SWITCHED +12
11	WHITE	6258	GROUND FOR SOLENOID VALVES
12			NO CONNECTION
GRAY			4 PIN GRAY CONNECTOR
1	BLACK	6800	SWITCHED +12 FROM MASTER RELAY
2	BLACK	6800	SWITCHED +12 FROM MASTER RELAY
3	WHITE	6230	GROUND FROM GROUND STUD
4	WHITE	6230	GROUND FROM GROUND STUD

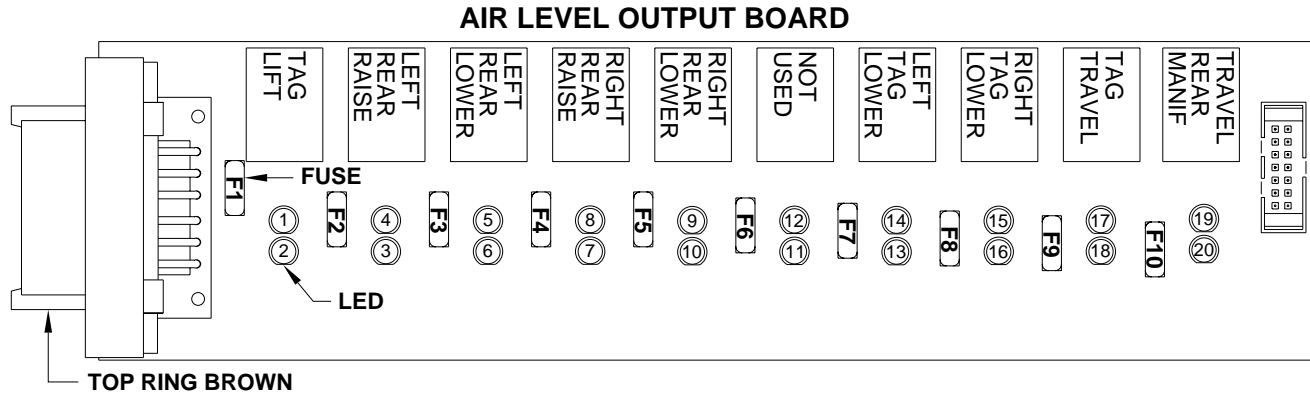
ELECTRICAL CONNECTION DIAGRAM
LED - FUSE LOCATION AND DESCRIPTION
REAR AIR / ROOM 2 MODULE (BOTTOM RING)
PAGE 1 OF 2

ROOM 2 I/O BOARD



LED	DESCRIPTION	CN AND PIN	FUSE DESCRIPTION
1-RED	EXTEND	CN 10 - PIN 4	F1 - 2AMP SW BATTERY OUT F2 - 2AMP NOT USED F3 - 2AMP READY TO OPERATE LIGHT F4 - 2AMP PUMP INDICATOR LIGHT F5 - 3AMP SWITCHED BATTERY IN
2-RED	RETRACT	CN 10 - PIN 5	
3 AND 4-NOT USED			
5-YELLOW	LEFT REAR PRESS SW	CN 11 - PIN 2	
6-YELLOW	RIGHT REAR TAG PRESS SW	CN 12 - PIN 2	
7-GREEN	RIGHT REAR PRESS SW	CN 11 - PIN 3	NOTE: FOR DETAILED INPUT / OUTPUT INFORMATION ABOUT PIN CONNECTIONS SEE ELECTRICAL CONNECTION DIAGRAM - REAR AIR / ROOM 2 MODULE CONNECTION INFORMATION - PAGE 1 OF 2.
8-GREEN	AIR SYSTEM PRESS SW	CN 12 - PIN 3	
9 THRU 11-NOT USED			
12-YELLOW	LEFT REAR TAG PRESS SW	CN 12 - PIN 1	
13 THRU 18-NOT USED			
19-RED	SWITCHED BATT 12V - OUT	CN 11 & CN12 - PIN 7	
20-RED	SWITCHED BATTERY - IN	CN 9 - PIN 3	
21-RED	PUMP INDICATOR	CN 10 - PIN 3	
22-RED	READY TO OPERATE	CN 10 - PIN 2	
23-NOT USED			
24-RED	SYSTEM WAKE UP	CN 10 - PIN 7	
27 THRU 30-NOT USED			
LINK LIGHT	BOARD COMMUNICATION		

**ELECTRICAL CONNECTION DIAGRAM
LED - FUSE LOCATION AND DESCRIPTION
REAR AIR / ROOM 2 MODULE (TOP RING)
PAGE 2 OF 2**



LED	RELAY DESCRIPTION	FUSE	BLACK
1-YELLOW	TAG LIFT - COIL		
2-RED	TAG LIFT - CONTACT	F1-5 AMP	PIN 1
3-RED	LEFT REAR RAISE - CONTACT	F2-5 AMP	PIN 2
4-YELLOW	LEFT REAR RAISE - COIL		
5-YELLOW	LEFT REAR LOWER - COIL		
6-RED	LEFT REAR LOWER - CONTACT	F3-5 AMP	PIN 3
7-RED	RIGHT REAR RAISE - CONTACT	F4-5 AMP	PIN 4
8-YELLOW	RIGHT REAR RAISE - COIL		
9-YELLOW	RIGHT REAR LOWER - COIL		
10-RED	RIGHT REAR LOWER - CONTACT	F5-5 AMP	PIN 5
11-RED	NOT USED	F6-5 AMP	PIN 6
12-YELLOW	NOT USED		
13-RED	LEFT TAG LOWER - CONTACT	F7-5 AMP	PIN 10
14-YELLOW	LEFT TAG LOWER - COIL		
15-YELLOW	RIGHT TAG LOWER - COIL		
16-RED	RIGHT TAG LOWER - CONTACT	F8-5 AMP	PIN 9
17-YELLOW	TAG TRAVEL - COIL		
18-RED	TAG TRAVEL - CONTACT	F9-3 AMP	PIN 7
19-YELLOW	TRAVEL - REAR MANIFOLD - COIL		
20-RED	TRAVEL - REAR MANIFOLD - CONTACT	F10-3 AMP	PIN 8

NOTE: FOR DETAILED INPUT / OUTPUT INFORMATION ABOUT PIN CONNECTIONS SEE ELECTRICAL CONNECTION DIAGRAM - REAR AIR / ROOM 2 MODULE CONNECTION INFORMATION - PAGE 2 OF 2.

NOTE: A LIT YELLOW LED INDICATES THERE IS A GROUND SIGNAL TO TURN THE CORRESPONDING RELAY ON.

A LIT RED LED INDICATES THERE IS VOLTAGE ON IT'S CORRESPONDING CN1 PIN.

IF A YELLOW LED IS LIT AND THE CORRESPONDING RED LED IS OFF, EITHER IT'S FUSE IS BLOWN OR THE RELAY IS BAD. *

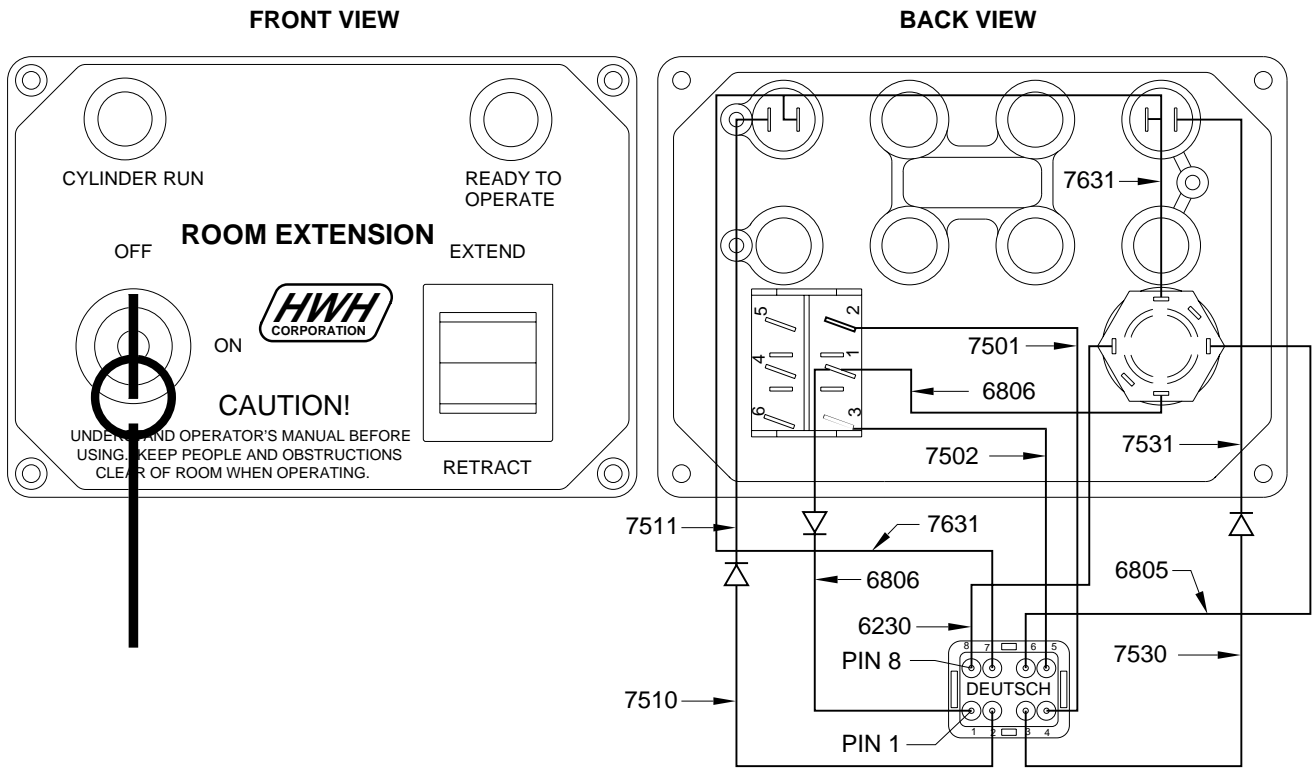
IF THE YELLOW LEDS ARE WORKING BUT NO RED LED IS COMING ON THERE IS A PROBLEM WITH INPUT VOLTAGE IN THE 4-PIN CONNECTOR ON THE TOP RING. *

IF A YELLOW LED IS NOT LIT, THIS INDICATES A PROBLEM WITH A MODULE. *

*** NOTE: THE TWO TRAVEL RELAY IS WIRED AS NORMALLY CLOSED RELAYS. WHEN THE YELLOW LED (19) IS ON THE RELAY CONTACTS WILL OPEN. THE RED LED (20) WILL NOT BE ON. THE RED LED WILL BE ON IF THE LEVELING SYSTEM IS IN THE TRAVEL MODE AND THE IGNITION IS ON.**

ELECTRICAL CONNECTION DIAGRAM

ROOM EXTENSION PANEL

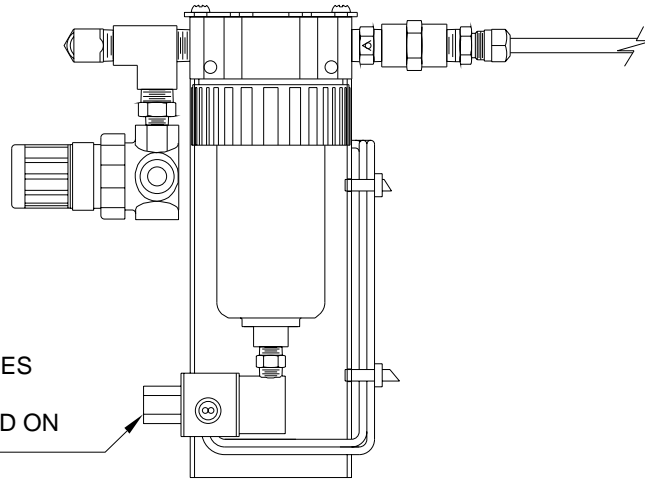


CONNECTOR PIN #	WIRE NUMBER	WIRE DESCRIPTION AND FUNCTION
1	6806	SWITCHED +12 FROM KEY SWITCH FOR COUNTRY COACH AND ROOM CONTROL SWITCH
2	7510/7511	READY TO OPERATE LIGHT CONTROL WIRE SWITCHED +12V
3	7530/7531	CYLINDER RUN LIGHT CONTROL WIRE SWITCHED +12
4	7501	ROOM EXTEND - ACTUATOR RETRACT SWITCHED +12V FROM ROOM CONTROL SWITCH
5	7502	ROOM RETRACT - ACTUATOR EXTEND SWITCHED +12V FROM ROOM CONTROL SWITCH
6	6805	SWITCHED +12V TO ROOM PANEL KEY SWITCH
7	7631	SWITCHED GROUND FROM ROOM PANEL KEY SWITCH FOR PANEL INDICATOR LIGHTS AND SYSTEM WAKE UP
8	6230	GROUND SUPPLY FOR ROOM PANEL KEY SWITCH

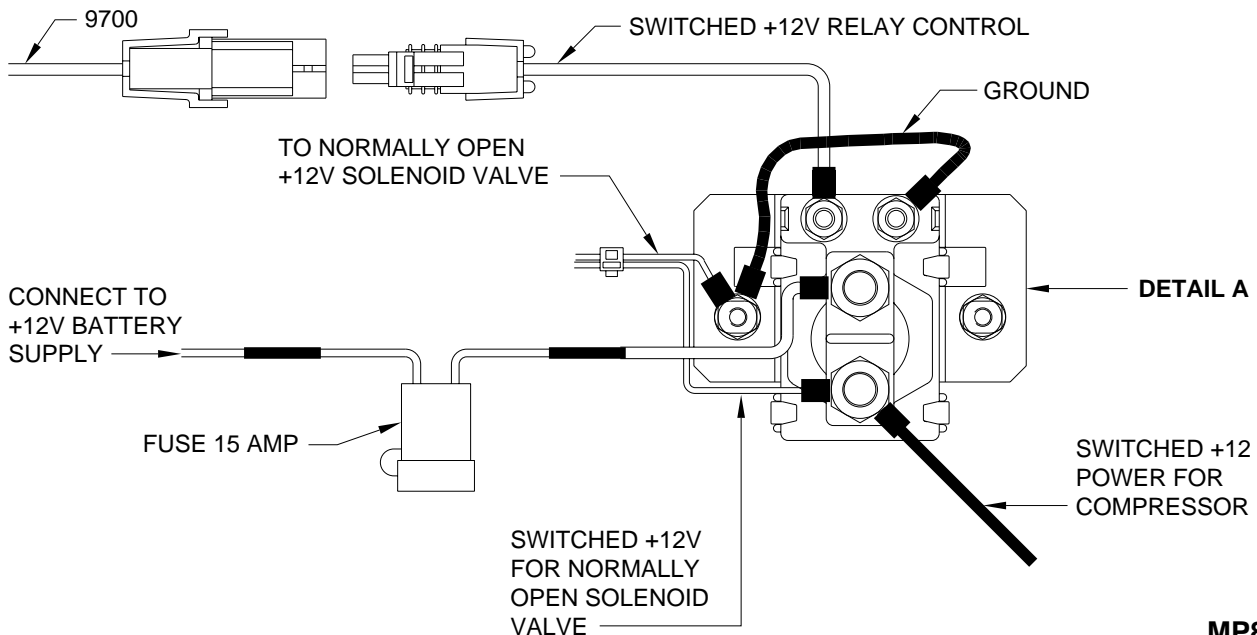
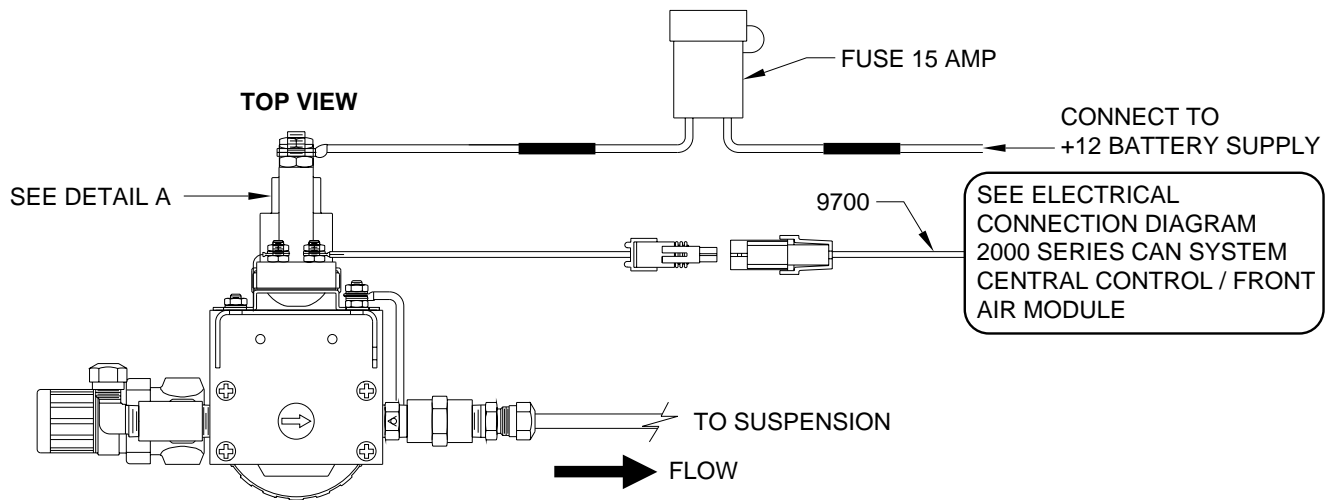
ELECTRICAL CONNECTION DIAGRAM WATER TRAP ASSEMBLY

SIDE VIEW

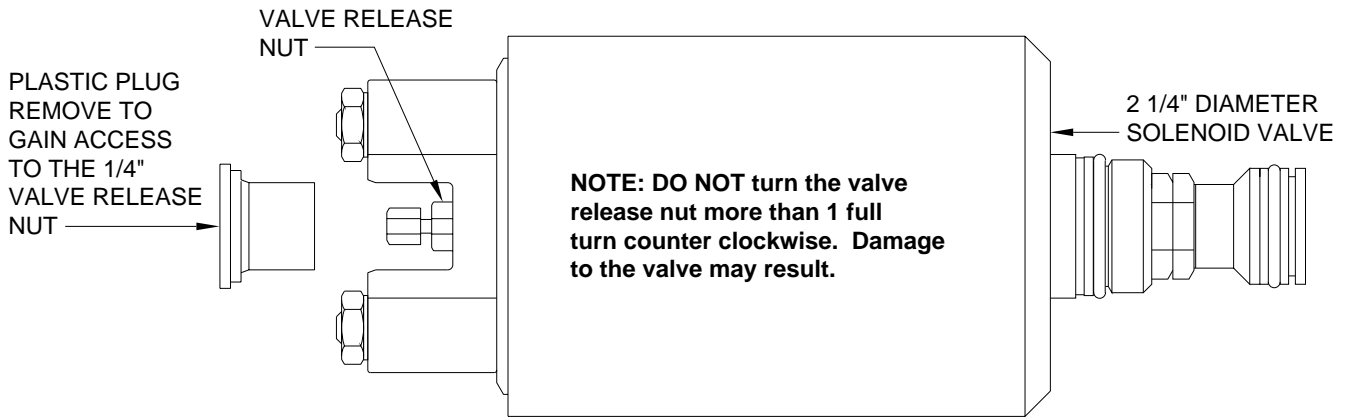
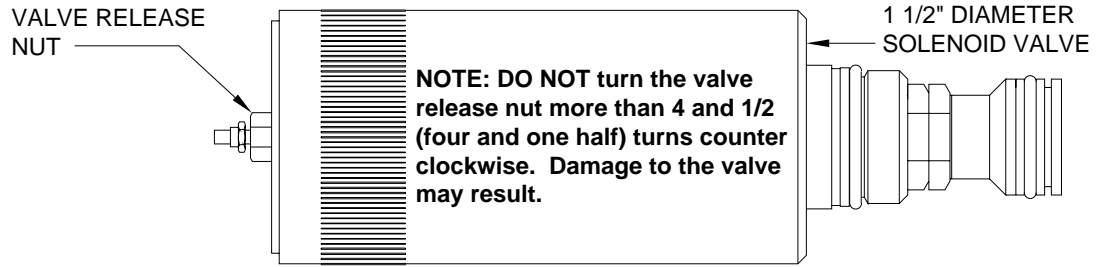
NORMALLY OPEN 12V SOLENOID VALVE. CLOSSES WHEN AUXILIARY AIR COMPRESSOR IS TURNED ON
SEE DETAIL A



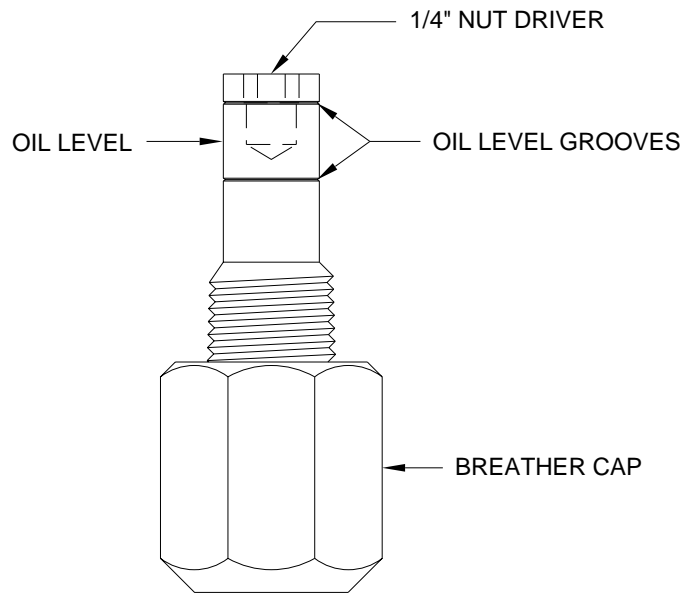
TOP VIEW



BREATHER CAP - DIPSTICK - 1/4" NUT DRIVER



NOTE: THE BREATHER CAP IS LOCATED ON THE TOP SIDE OF THE POWER UNIT RESERVOIR.



IMPORTANT: PRIOR TO REMOVING THE BREATHER CAP, EITHER TO CHECK THE OIL LEVEL OR TO USE THE 1/4" NUT DRIVER, CLEAN ANY DEBRIS FROM THE TOP OF THE RESERVOIR. BEFORE RETURNING THE BREATHER CAP TO THE RESERVOIR, REMOVE ANY PAINT CHIPS OR OTHER DEBRIS FROM THE DIPSTICK INCLUDING DEBRIS INSIDE THE 1/4" NUT DRIVER.